

Illustrated Parts Breakdown

This appendix provides the following information:

- ◆ Exploded views of slot machine assemblies and components, including mechanical assemblies and machine electronics
- ◆ Detailed views of small components, such as lamps and switches
- ◆ A listing of all replaceable parts used on the slot machine, tied to item designators used in the exploded views
- ◆ Parts lists for coin denomination replacement kits

Overview

Replacement of parts is generally performed only at the major component level. Major components are mechanical assemblies, circuit boards, display monitor, hard disk, power supply, and so on.

In the illustrated breakdown of the slot machine, major components are shown, as well as smaller replaceable parts such as lamps and switches. Each component shown is identified by a reference designator that is linked to its part number in the parts list that follows the illustrations.

Illustrated Breakdown of Slot Machine

The following illustrations are provided in this appendix:

- ◆ Exploded view of main cabinet
- ◆ Inside view of display cavity and currency column
- ◆ Display monitor and touchscreen components
- ◆ Front view of currency column
- ◆ Rear view of currency column
- ◆ Lower cavity components
- ◆ Electronics box assemblies
- ◆ Motherboard assemblies

Figure B-1 Exploded View of Main Cabinet

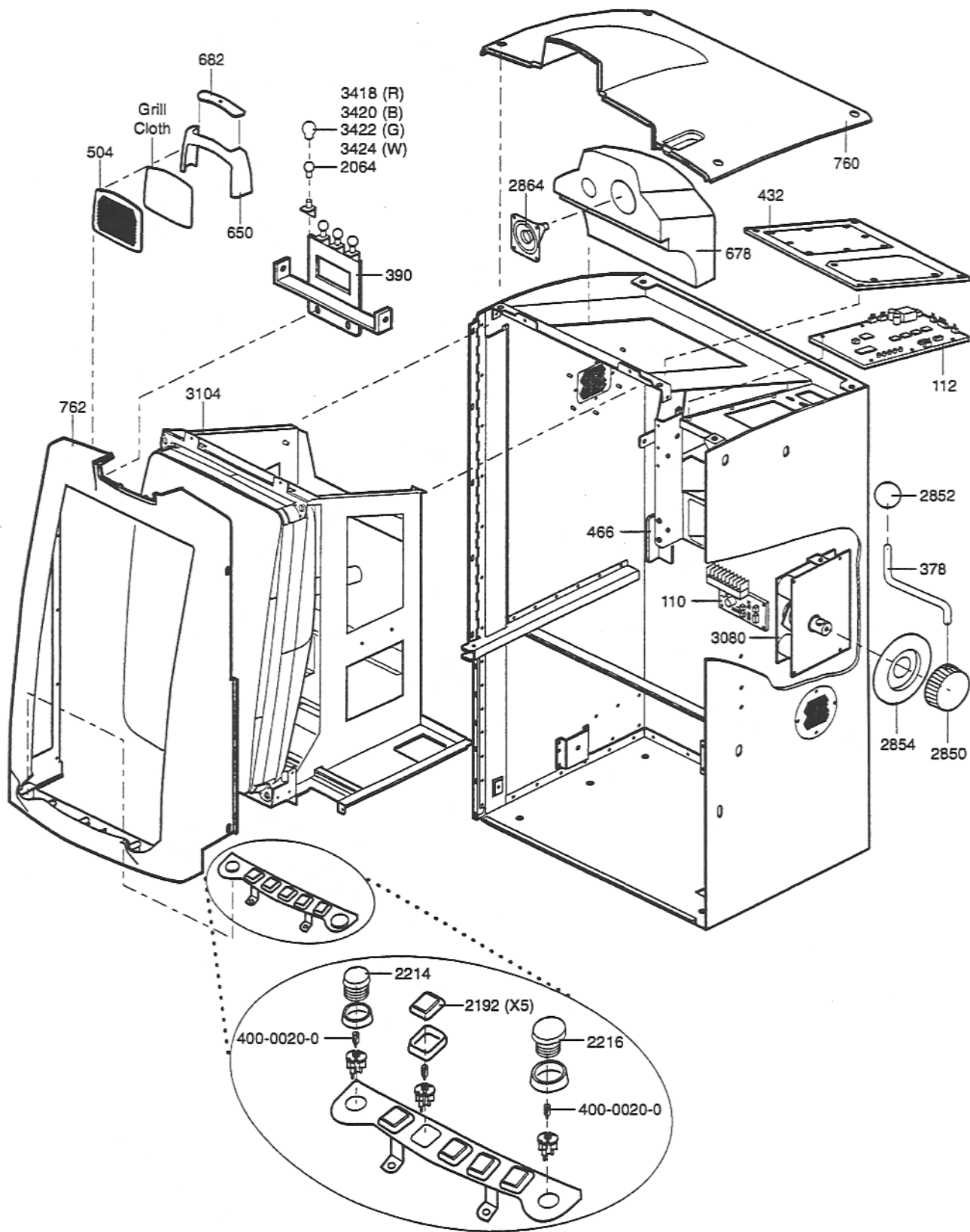


Figure B-2 Internal View of Display Cavity and Currency Column

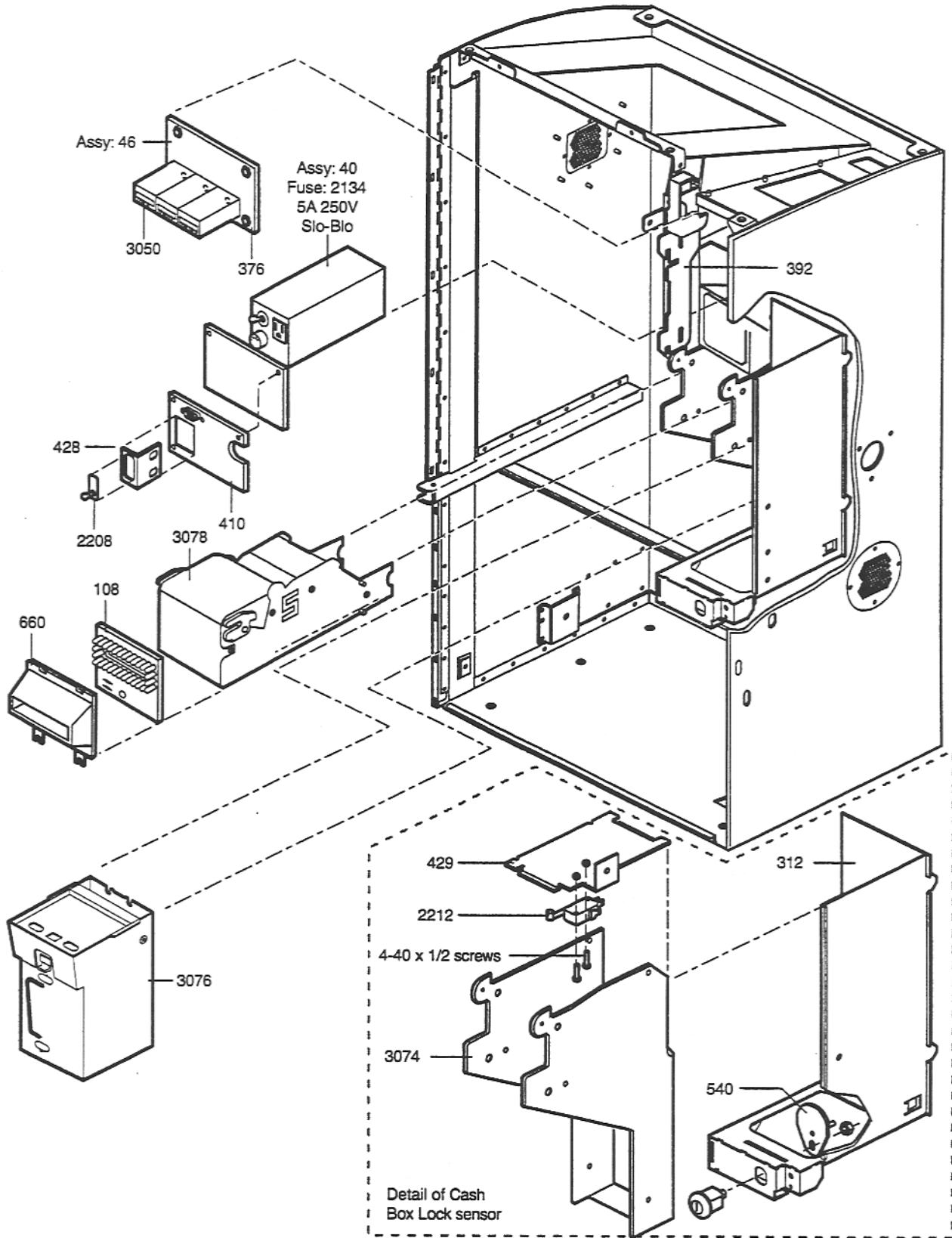


Figure B-3 Display Monitor and Touchscreen Components with Neotec Chassis

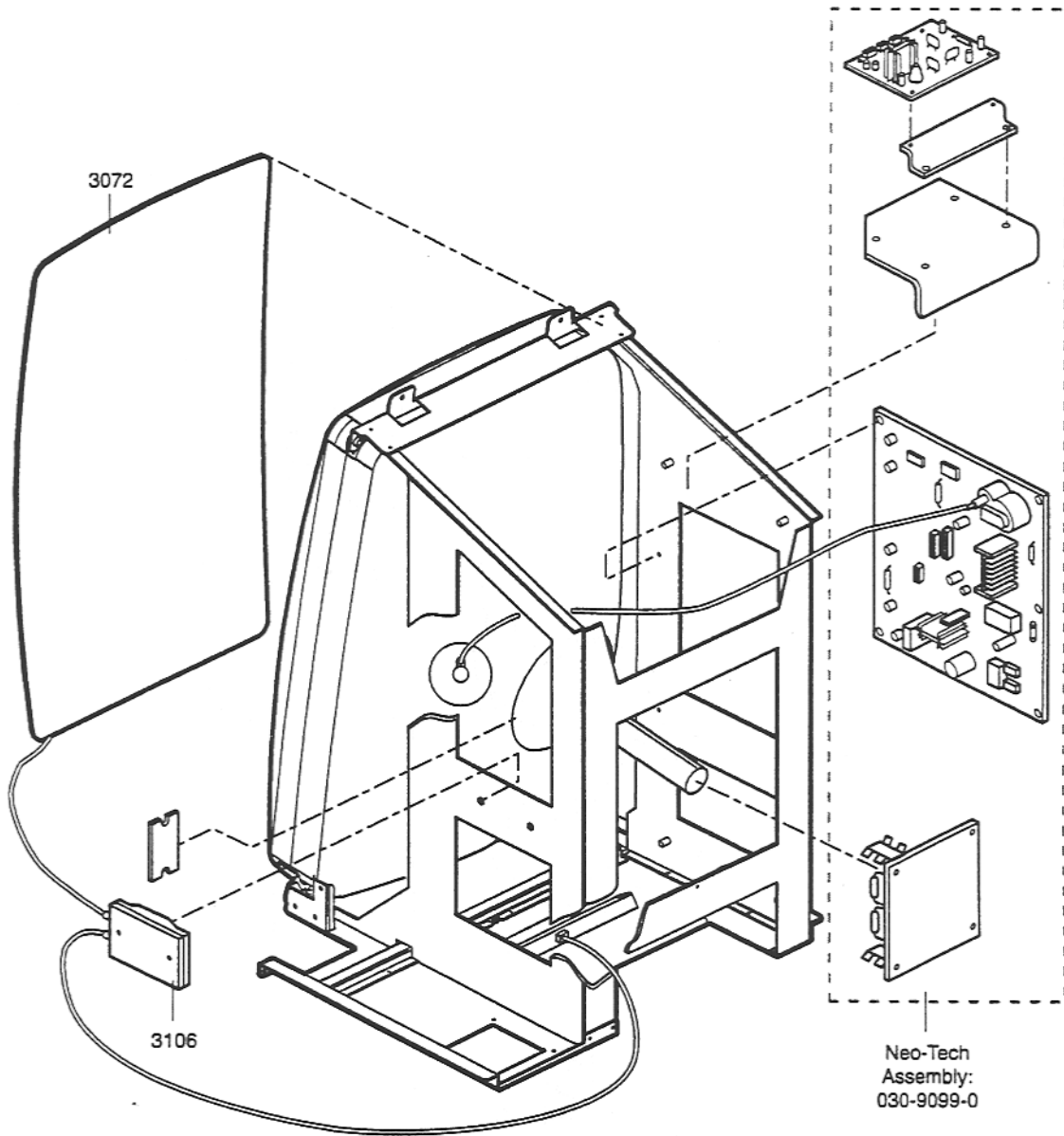


Figure B-4 Front View of Currency Column

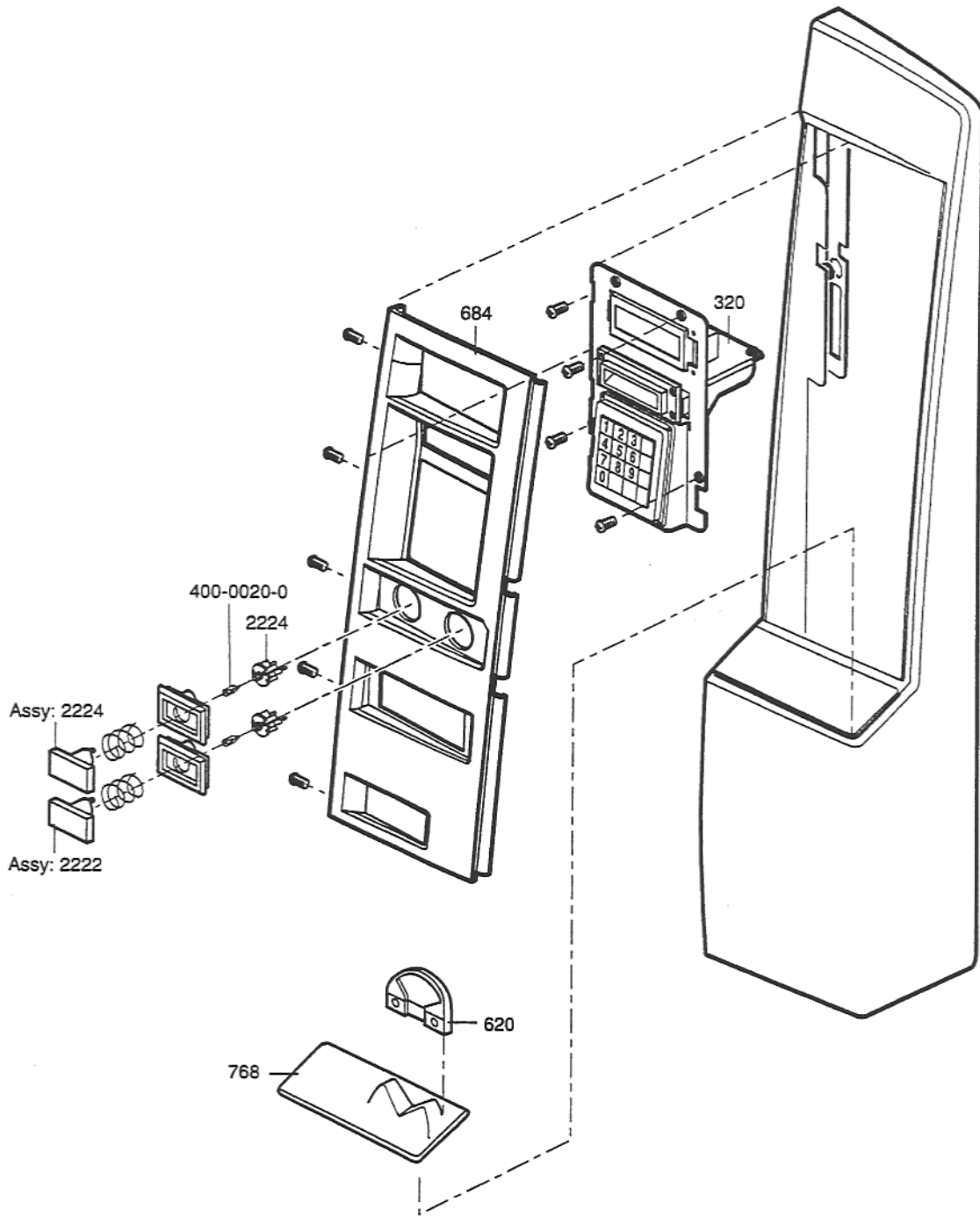


Figure B-5 Rear View of Currency Column

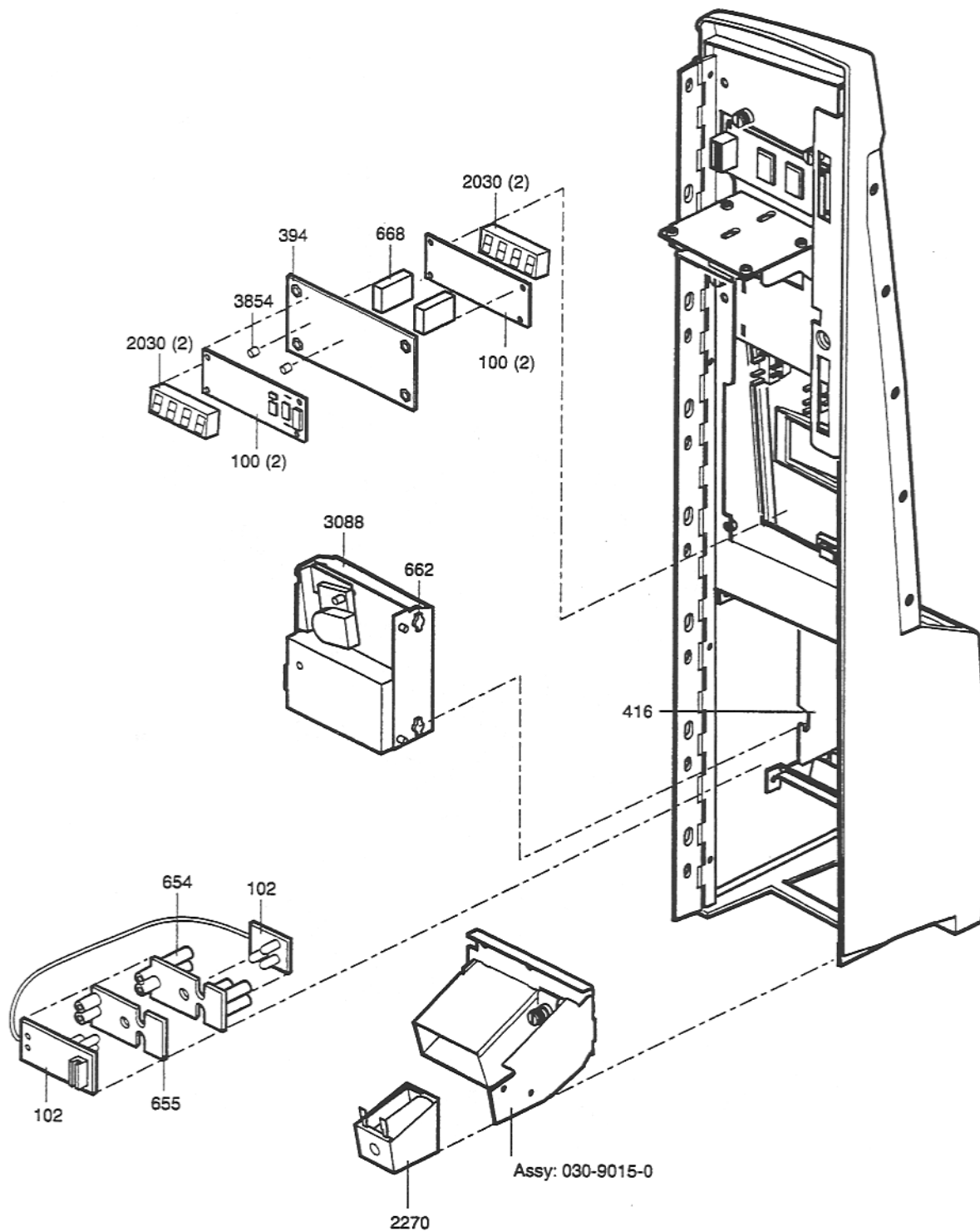


Figure B-6 Lower Cavity Components

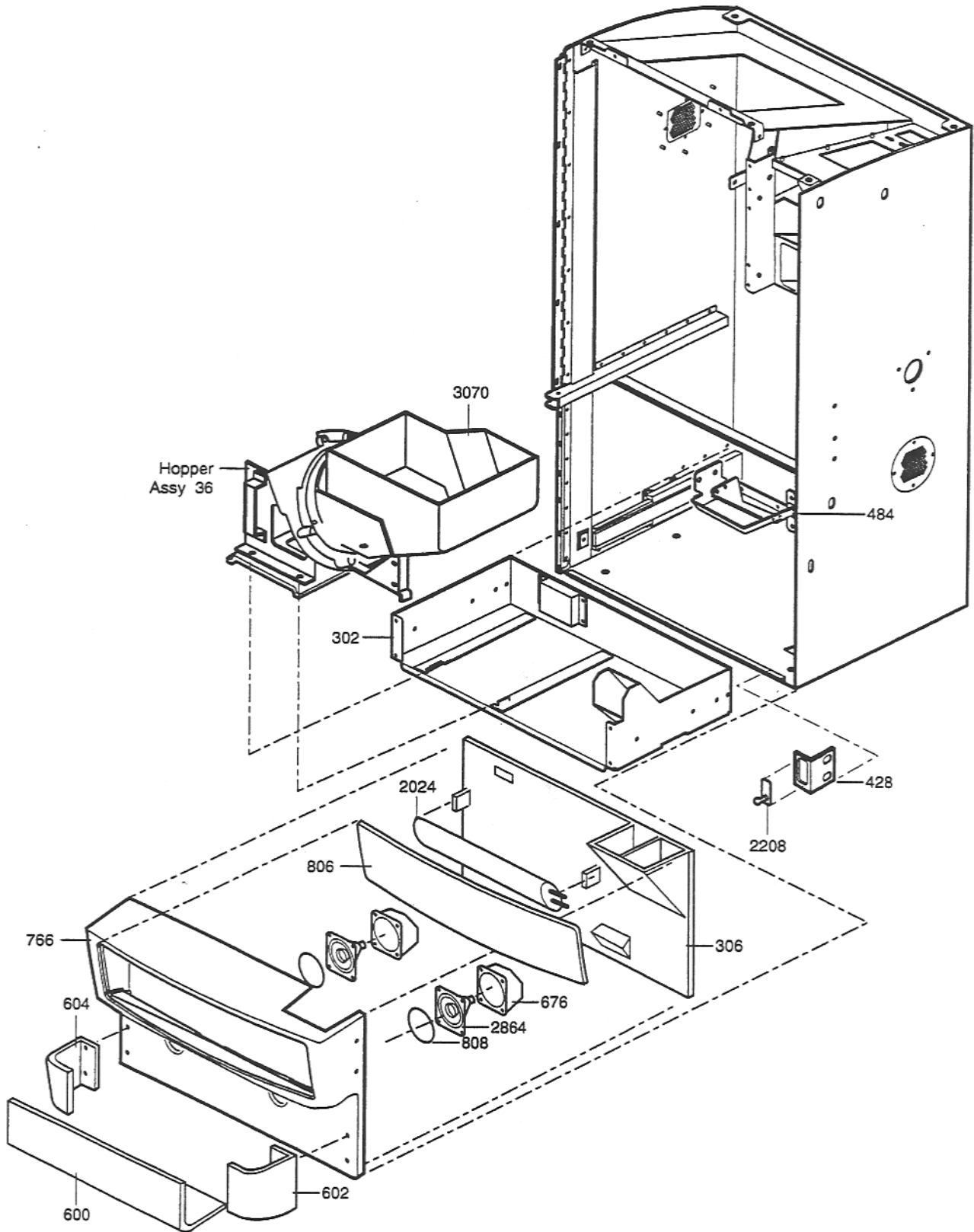


Figure B-7 Electronics Box Assemblies with GPIO I Board

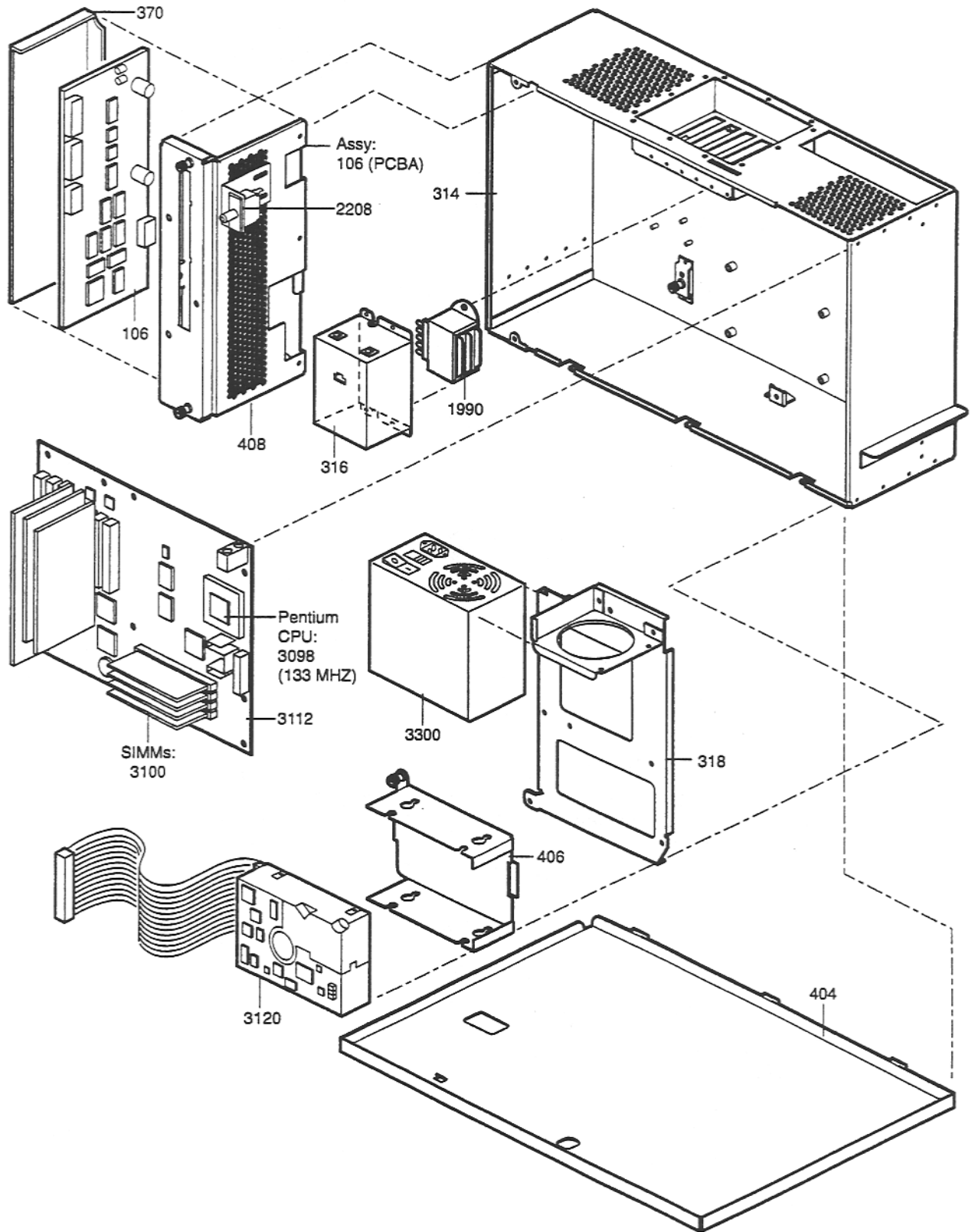


Figure B-8 Electronics Box Assemblies with GPIO II Boards

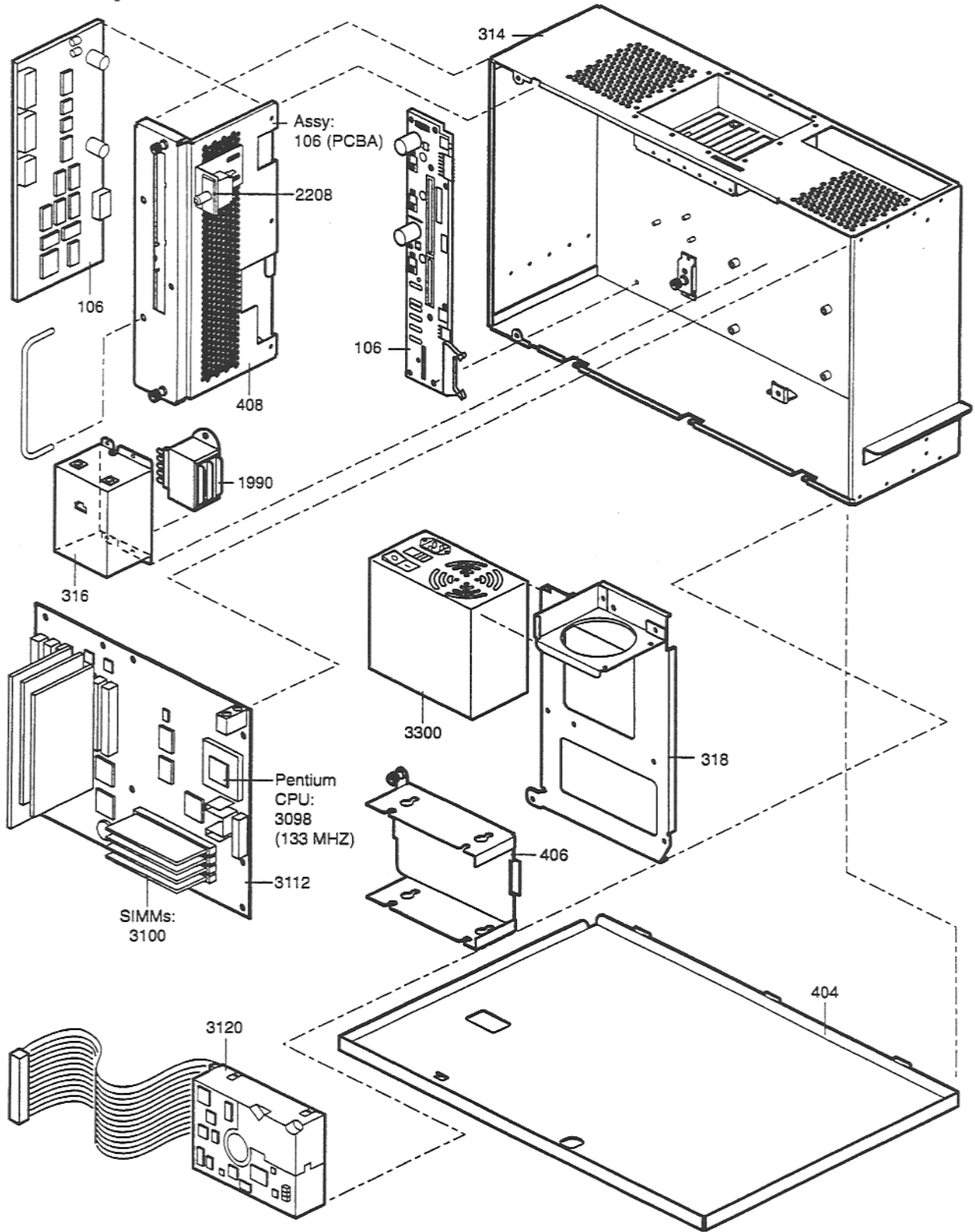
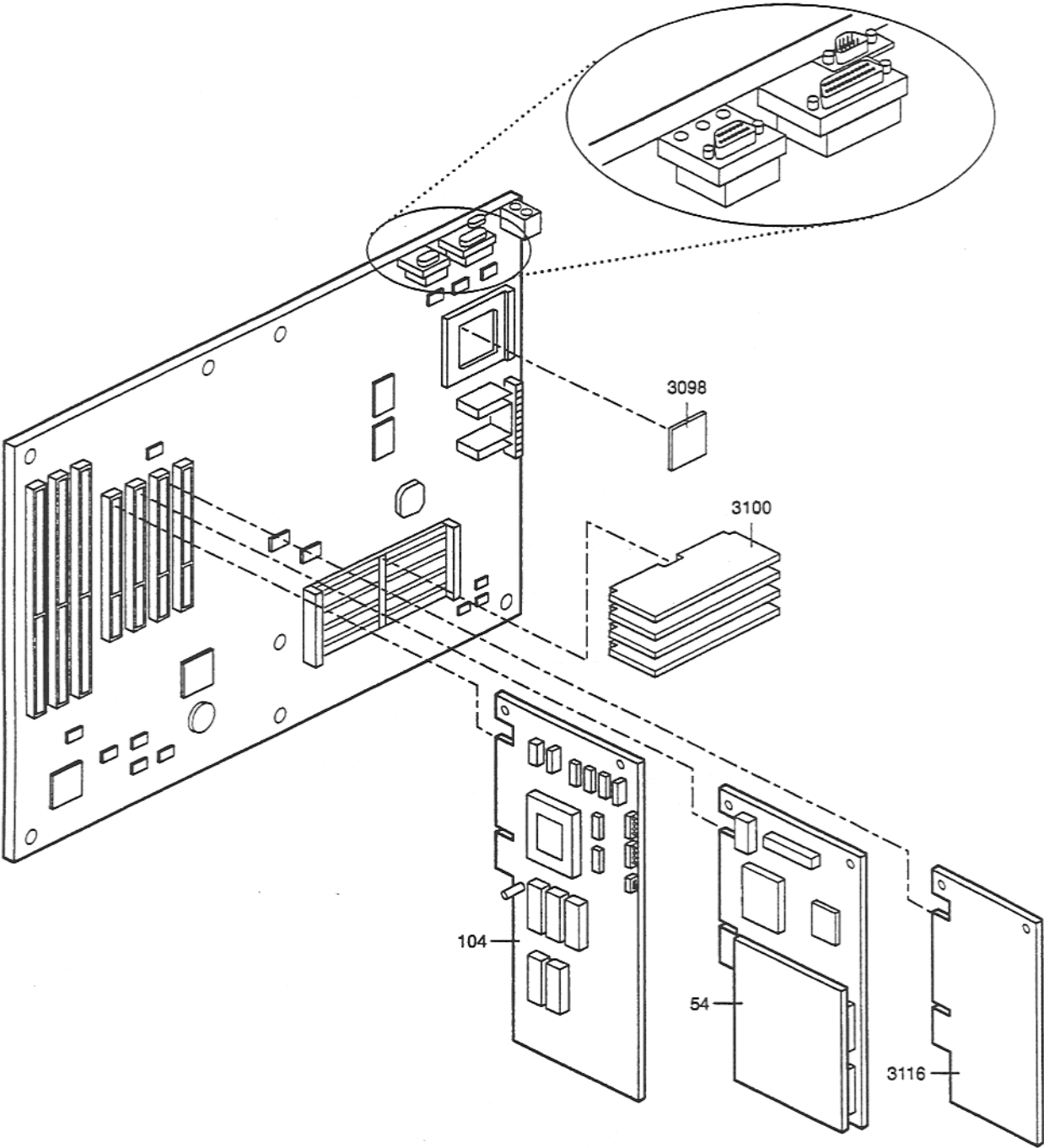


Figure B-9 Motherboard Assemblies



Parts List

A preliminary list of replaceable parts is provided below.

Item Ref. Number	Description	Part Number
	Coin Diverter Assy	030-9015-0
	VDT Electronics Chassis, Neotec	030-9099-0 (Must be ordered as a complete unit)
	Lamp, Bezel Push button	400-0020-0
36	Hopper Assy (Complete assembly)	030-9004-1
40	AC Box Assy	030-9006-0
46	Meter Assy	030-9010-0
54	Video PCBA	030-9020-0
100	Status/Credit Display PCBA	060-9022-0
102	Coin Optics PCBA	060-9023-0
104	Peripheral Memory PCBA	Multiple versions exist. Consult Customer Support for ordering information
106	GPIO PCBA	060-9025-0
	GPIO Logic Board (Brain)	060-9095-0
	GPIO Backplane (Pinky)	060-9094-0
108	Bill Acceptor LED Array (Mars)	060-9026-0
110	Dual Audio Amplifier PCBA	060-9028-1
112	Hubble Network Adaptor PCBA	060-9029-0
302	Hopper Drawer	110-0001-1 (Riveted) 110-0001-0 (Welded)
306	Belly Door Weldment	110-0003-0
312	Cash Box Mounting Bracket	110-0009-0
314	PC Box Weldment	110-0010-1 (Riveted) 110-0010-0 (Welded)
316	AC Transformer Cover	110-0012-0
318	Power Supply Mounting Shelf	110-0013-1 (Riveted) 110-0013-0 (Welded)
320	Card Reader Display Bracket	110-0014-3 (IGT) 110-0015-2 (Bally)
370	GPIO Mounting Plate	112-0005-0
376	Meter Mounting Bracket	112-0018-X (Check part for correct dash number)
378	Arm, Fabricated	112-0019-0
388	VDT Electronics Tray	112-0026-1
390	Candle Bracket	112-0027-0
392	Bolster Latch	112-0030-0
394	Panel, Credit Display MTG	112-0033-1
404	PC Box Cover	112-0040-0
406	Hard Disk Drive Bracket	112-0043-0
408	GPIO Cover (Sparky I)	112-0046-0
	GPIO Cover (Sparky II)	112-0111-0
	GPIO Cover Handle	*To be supplied
410	Plate, Serial Conn MNT	112-0047-0
416	Coin Comparitor Bracket	112-0050-1
428	Universal SW Mount	112-0056-0
429	Cash Box Lock Mount	112-0057-0
432	Player Tracking Power Supply Mounting Plate	112-0060-1

Item Ref. Number	Description	Part Number
466	Vertical Security Flange (Obsolete after 11/15/97)	112-0071-0
484	Hopper Security Ramp	112-0081-1
504	Speaker Grille	112-0095-2 (Pearl) 112-0095-3 (Silver)
540	Cash Box Lock Cam	112-0115-0
600	Coin Tray Center Piece	113-0001-0
602	Coin Tray End Piece (Right)	113-0002-0
604	Coin Tray End Piece (Left)	113-0003-0
620	Coin Head Back (0.25)	115-0003-0
650	Lens Candle	118-0005-1
654	Mounting Block Emitter	118-0009-0
655	Mounting Block Detector	118-0010-0
660	Bill Acceptor Bezel (Mars)	118-0012-1
662	Coin Comparitor Clip	118-0013-0
668	Status Display MTG Block	118-0016-0
676	Speaker Cup Belly Door	118-0020-0
678	Speaker Enclosure	118-0021-0
682	Denom Cap Candle (0.25)	118-0024-0
684	Bolster Window	118-0025-0 (CDS) 118-0026-0 (IGT) 118-0027-0 (Bally) 118-0028-0 (No player tracking system)
760	Casting Top Cap	119-0000-1 (Black) 119-0000-2 (Pearl)
762	Casting VDT Bezel	119-0001-2 (Pearl) 119-0001-3 (Silver)
766	Casting Belly Door	119-0003-2 (Pearl) 119-0003-3 (Silver)
768	Coin Head Base	119-0004-0
806	Belly Glass	120-0003-1 (No A/W)
808	Speaker Grille Belly Door	120-0004-0
1990	AC Transformer	360-0001-0
2024	Fluorescent Tube 15W 18in	400-0002-0
2030	Status Display LED	400-0010-0
2064	Lamp CM68 Double Contact	400-0027-0
2134	Fuse 5A 250V Slo-Blo	
2192	SW VDT Square Pushbutton	417-0001-0
2208	Sensor Switch	417-0011-0
2212	Security Switch - Cash Box	417-0013-0
2214	SW VDT Small Round Pushbutton	417-0014-0
2216	SW VDT Medium Round Pushbutton	417-0015-0
2222	SW Bolster Rectang. Pushbutton - "Cash/ Credit"	417-0018-0
2224	SW Bolster Rectang. Pushbutton - "Change"	417-0019-0
2270	Coin Diverter Solenoid	419-0000-0
2850	Arm Hub, Chrome	504-0001-0
2852	Arm Ball	504-0002-0
2854	Chrome Cover Arm	504-0003-0
2864	Speaker 3 in 8 Ohm	504-0009-0
3050	Meter	505-0000-0 (Large) 505-0000-1 (Small, after 8/97)
3070	OEM Hopper Assy	510-0000-1

Item Ref. Number	Description	Part Number
3072	Touchscreen	510-0001-0
3074	Bill Acceptor Chassis (Mars)	510-0002-0
3076	Cash Box (Mars)	510-0003-0
3078	Bill Acceptor OEM assy (Mars)	510-0004-0
3080	OEM Arm Mechanism	510-0005-0
3088	Coin Comparitor OEM Assy	510-0008-0
3098	Pentium CPU Chip (133 MHz)	510-0013-0
3100	Memory SIMMs (16MB)	510-0014-0 (Four per machine)
3104	Tube VDT	510-0016-0
3106	Touchscreen Controller	510-0017-0
3112	Pentium PCBA, Thor Pentium PCBA, Tucson	510-0020-0 510-0020-1
3116	SCSI Controller	510-0022-0
3120	Hard Disk Drive 4GB 3.5-in SCSI	510-0024-0
3300	Power Supply Reverse ATX	540-0000-1
3418	Cover Candle Bulb Red Large	605-0009-0
3420	Cover Candle Bulb Blue Large	605-0010-0
3422	Cover Candle Bulb Green Large	605-0011-0
3424	Cover Candle Bulb White Large	605-0012-0
3854	Standoff 4-40 X 3/16 M/F Nylon	630-0002-0

Coin Denomination Replacement Kits

Table 13-1, Table 13-2 on page B-15, and Table 13-3 on page B-15 provide information about the parts kits available for upgrading a 25¢ machine to

- ◆ an upgraded 25¢ machine
- ◆ a \$1 machine
- ◆ a \$5 machine

Table 13-1 Components in SGI \$.25 Denomination Kit

Part Number	Qty	Description
112-0081-2	1	Hopper security ramp (coin guard)
112-0113-0	1	Mounting bracket CC16 (coin acceptor mounting bracket)
115-0015-0	1	25¢ denomination insert (coin head component)
115-0019-0	1	25¢ wicket back (coin head component)
115-0020-0	1	Wicket base (coin head component)
118-0013-0	2	Coin comparator clip (coin acceptor clip)
708-0000-0	2	#8 - 32 x 1/4". screw
See Table 13-4 on page B-16	1	Bolster cover (currency column cover)
See Table 13-4 on page B-16	1	Bolster label (currency column label)

Table 13-2 Components in SGI \$1 Denomination Kit

Part Number	Qty	Description
060-9023-1	1	PCBA Big Brother Coin Optics
112-0081-2	1	Hopper security ramp (coin guard)
112-0113-0	1	Mounting bracket CC16 (coin acceptor mounting bracket)
115-0011-0	1	Detector mount
115-0012-0	1	Optics mount base
115-0014-0	1	\$1 denomination insert (coin head component)
115-0018-0	1	\$1 wicket back (coin head component)
115-0020-0	1	Wicket base (coin head component)
118-0013-0	2	Coin comparator clip (coin acceptor clip)
118-0024-3	1	\$1 denomination cap candle
504-0061-0	1	Asahi Seiko \$1 Hopper Conversion Kit (See Table 13-5 on page B-16 for hopper components)
510-0009-0	1	\$1 OEM coin comparator assembly (\$1 coin acceptor assembly)
704-0004-0	1	#4-40 x 3/16" screw
708-0000-0	2	#8-32 x 1/4" screw
504-0064-0	1	Asahi Seiko \$1 hopper bowl
See Table 13-4 on page B-16	1	Bolster cover (currency column cover)
See Table 13-4 on page B-16	1	Bolster label (currency column label for \$1 denomination)

Table 13-3 Components in SGI \$5 Denomination Kit

Part Number	Qty	Description
030-9004-3	1	Asahi Seiko \$5 Hopper
060-9023-1	1	PCBA Big Brother Coin Optics
112-0081-2	1	Hopper security ramp (coin guard)
112-0114-0	1	Mounting bracket CC16WB (coin acceptor mounting bracket)
115-0011-0	1	Detector mount
115-0012-0	1	Optics mount base
115-0013-0	1	\$5 denomination insert (coin head component)
115-0017-0	1	\$5 wicket back (coin head component)
115-0020-0	1	Wicket base (coin head component)
118-0013-0	2	Coin comparator clip (coin acceptor clip)
118-0024-4	1	\$5 denomination cap candle
510-0043-0	1	\$5 OEM coin comparator assembly (\$5 coin acceptor assembly)
120-0008-0	1	Payout tube block with double-sided tape
704-0004-0	1	#4-40 x 3/16" screw
708-000-0	2	#8-32 x 1/4" screw
See Table 13-4 on page B-16	1	Bolster cover (currency column cover)
See Table 13-4 on page B-16	1	Currency column label for \$5 denomination

Table 13-4 Part Numbers for Currency Column Covers and Labels

Denomination	Player Tracking System	Part # for Currency Column Cover	Part # for Currency Column Label
25¢	IGT	118-0026-0	190-0020-0
25¢	CDS	118-0025-0	190-0021-0
25¢	Bally	118-0027-0	190-0022-0
25¢	None	118-0028-0	190-0023-0
\$1	IGT	118-0026-0	190-0020-0
\$1	CDS	118-0025-0	190-0021-0
\$1	Bally	118-0027-0	190-0022-0
\$1	None	118-0028-0	190-0023-0
\$5	IGT	118-0026-0	190-0024-0
\$5	CDS	118-0025-0	190-0025-0
\$5	Bally	118-0027-0	190-0026-0
\$5	None	118-0028-0	190-0027-0

Table 13-5 Components in Asahi Seiko Hopper Upgrade Kit

Qty	Description
1	Disk
	Knife Assembly
1	Knife with boss
2	M4 x 25 bolt with nut and lock washer
	Chute Assembly
1	Coin guide
1	Chute cover
2	M4 x 16 screw with lock washer
1	M3 x 5 screw with lock and flat washer
	Jump Assembly
1	Adjusting plate
1	Jump rubber
1	Jump cover
1	M4 x 12 screw with flat washer
1	M4 x 14 screw with flat and locking washers
	Coin Separator Assembly
1	Rubber coin separator
1	Metal separator retainer
1	M4 x 12 screw with flat washer
2	Hopper Bowl Collar