

## **Schematics**

This appendix provides schematic drawings of all major circuit boards in the Odyssey slot machine.

Figure C-1 Audio Amplifier Circuit Board, Rev. A01-A02

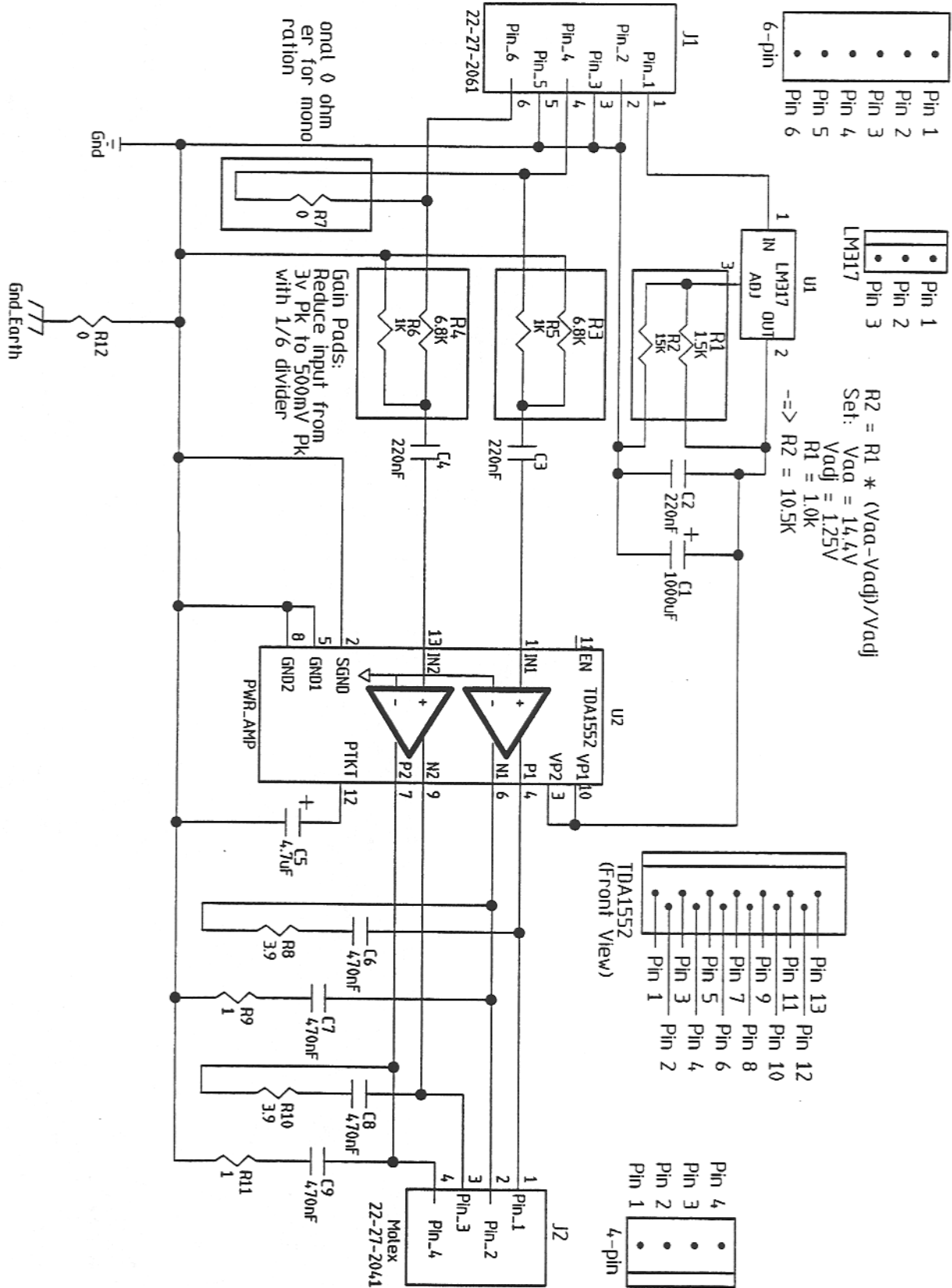


Figure C-2 Coin Optics Circuit Board, Rev. B02-B04

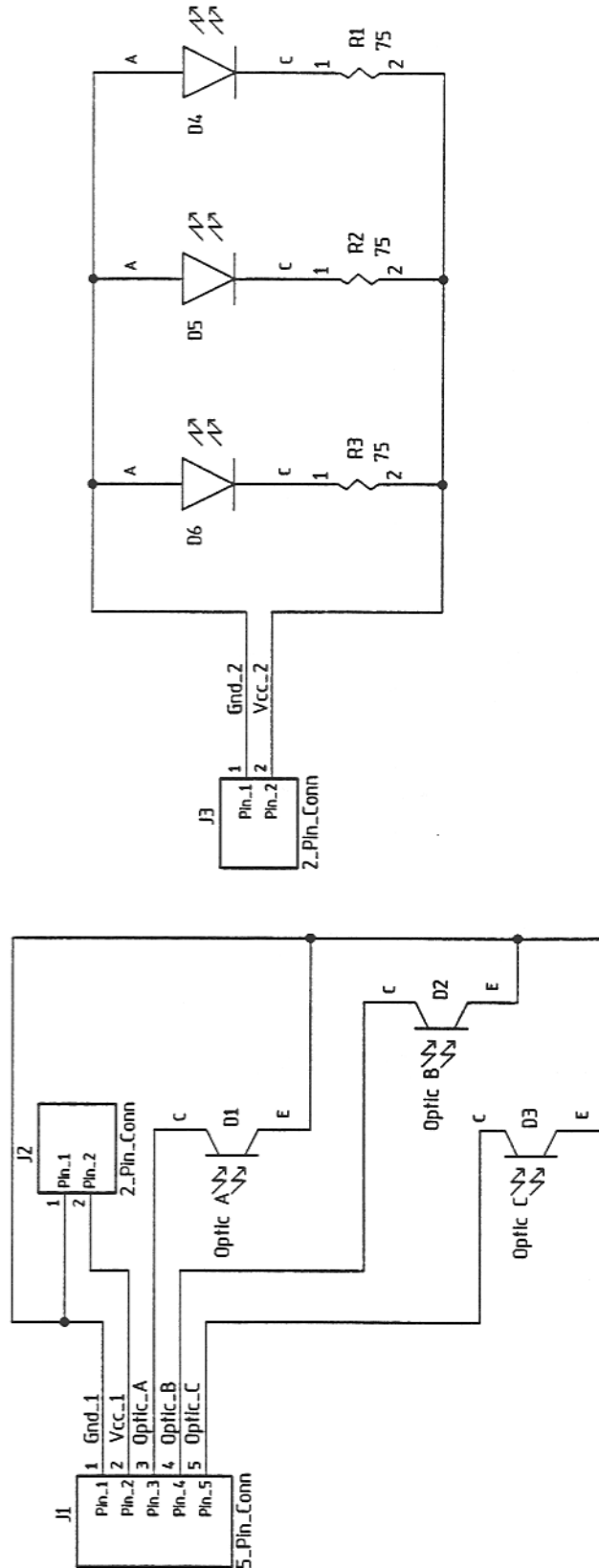


Figure C-3 Bill Acceptor Lips Circuit Board, Rev. A03-A04

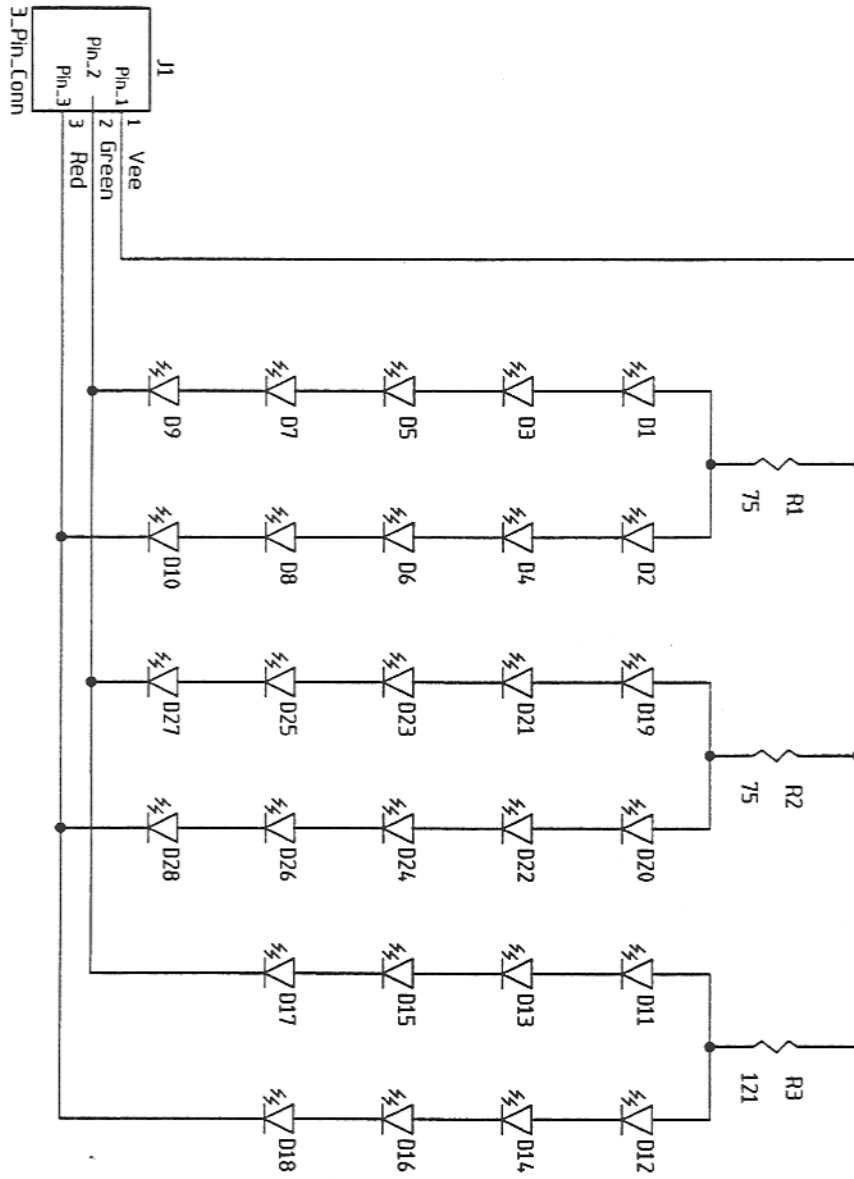


Figure C-4 Status LED Display Circuit Board, Rev. B03-B05

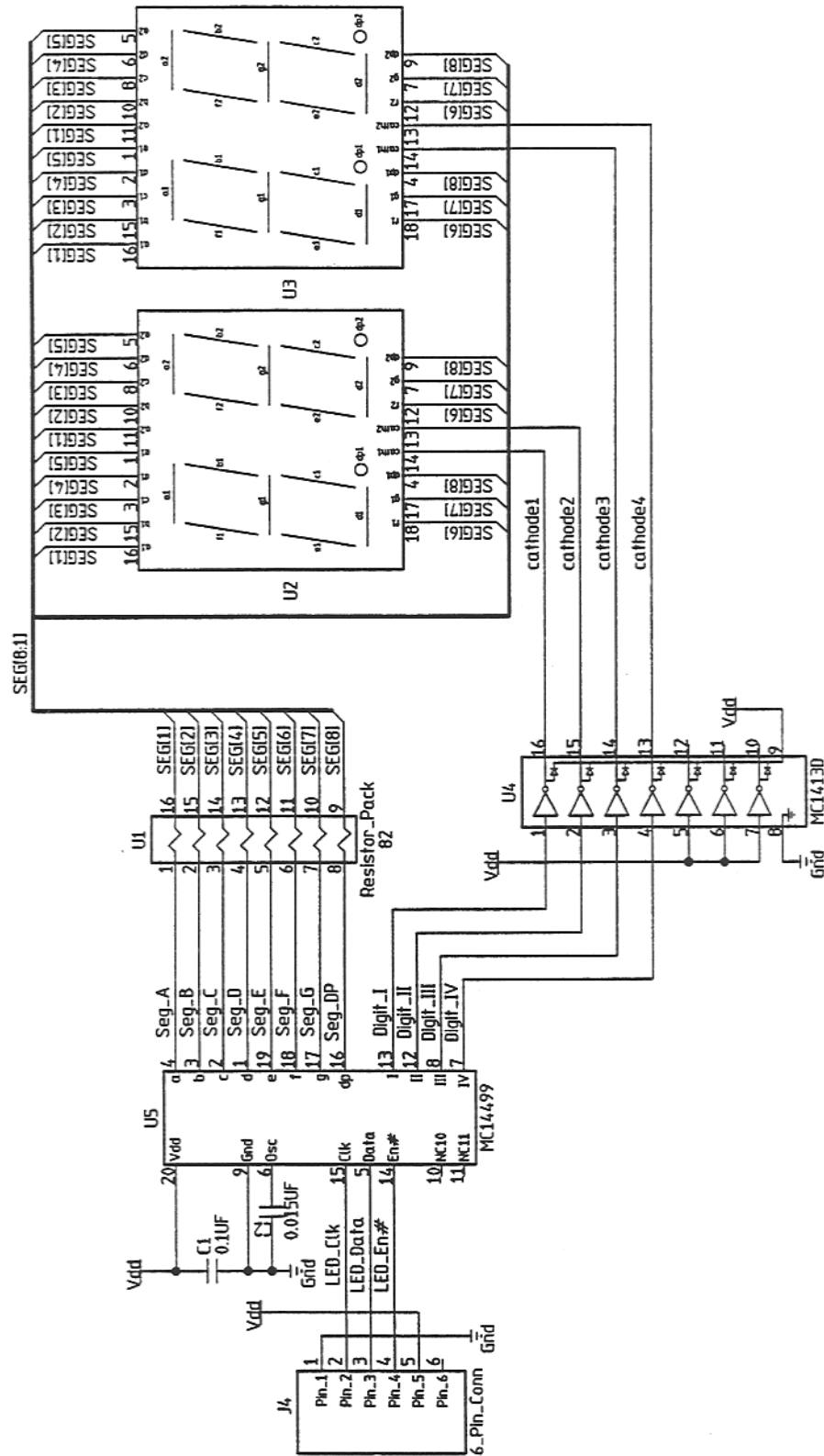


Figure C-5 GPIO (1 of 11). Rev. B14 BOM, B08 Rework -No Cuts or Jumps Shown: Top Layer

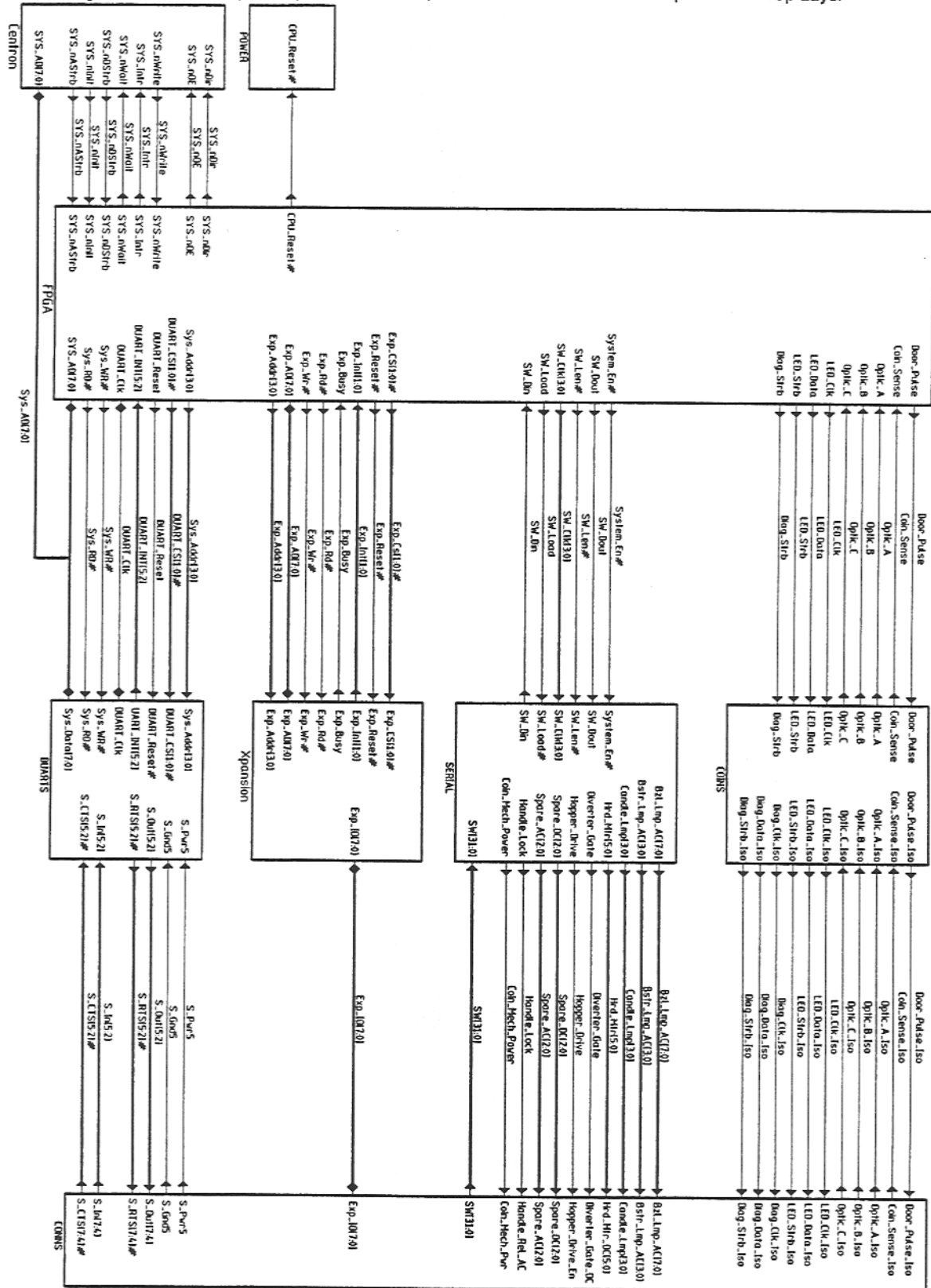


Figure C-6 GPIO (2 of 11). Rev. B14 BOM, B08 Rework -No Cuts or Jumps Shown: Centronix Interface

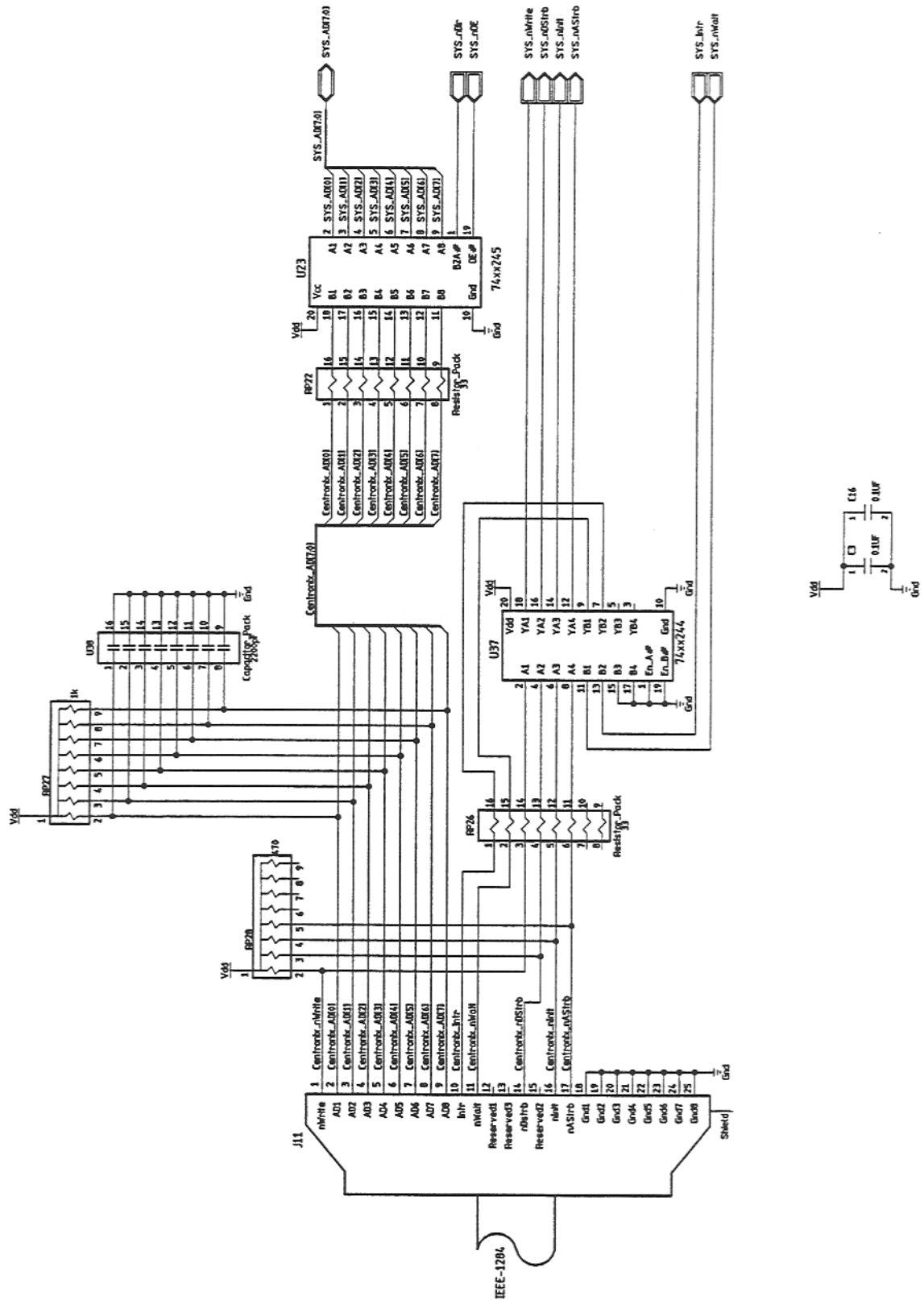


Figure C-7 GPIO (3 of 11). Rev. B14 BOM, B08 Rework -No Cuts or Jumps Shown: Expansion Port

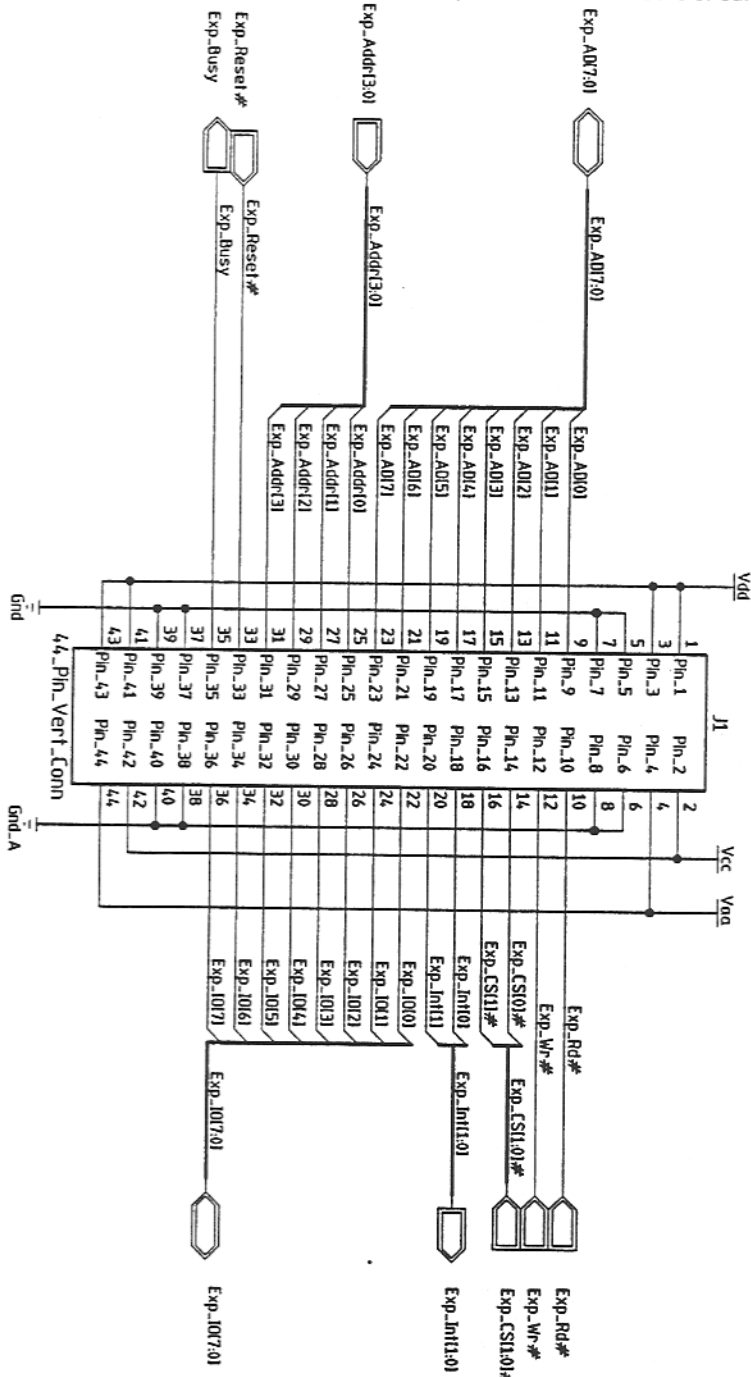




Figure C-8 GPIO (4 of 11). . Rev. B14 BOM, B08 Rework-No Cuts or Jumps Shown:  
Coin Path Optics and Diagnostic LED Interface

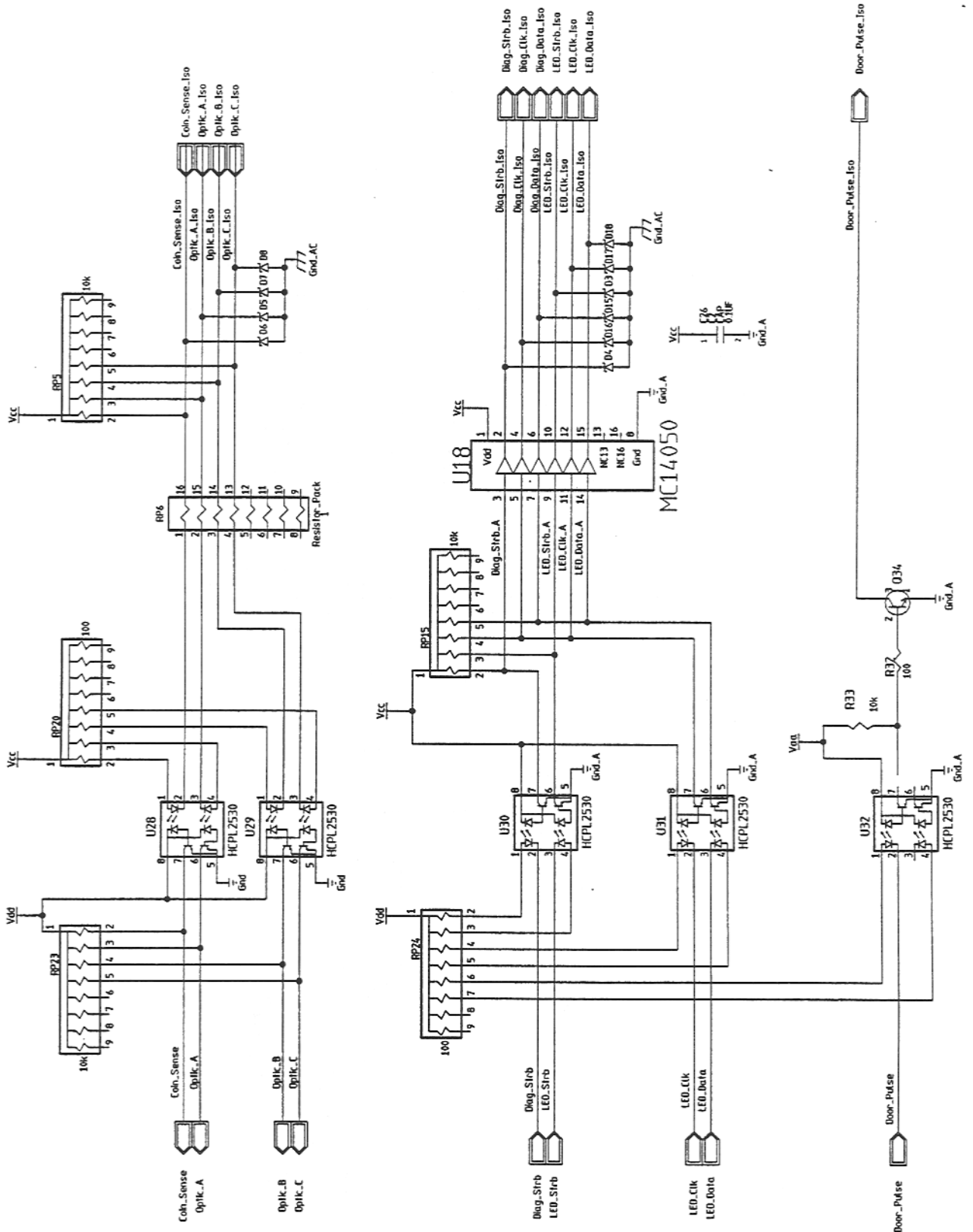


Figure C-9 GPIO (5 of 11). Rev. B14 BOM, B08 Rework -No Cuts or Jumps Shown: Lights and Switches Interface

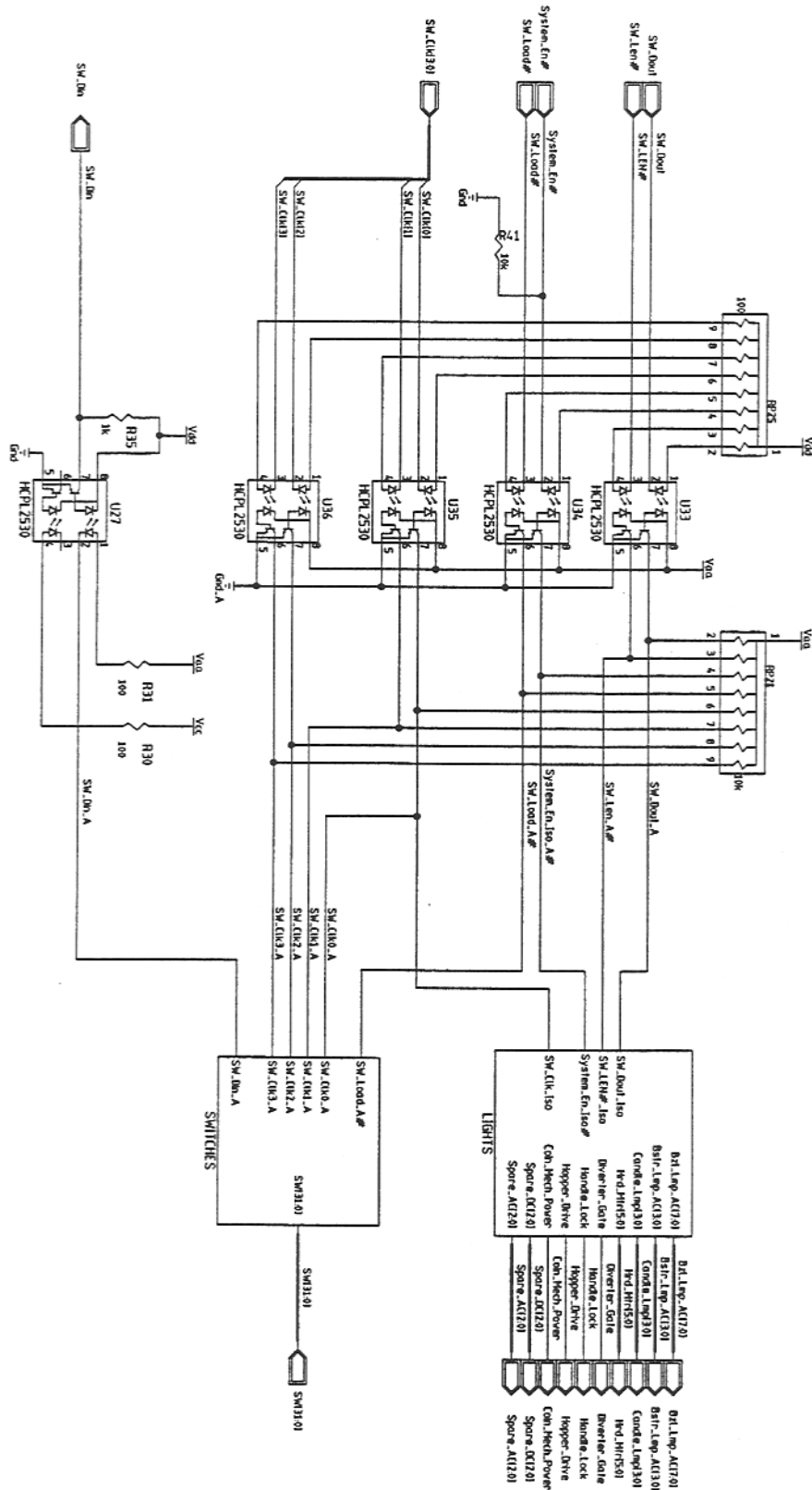


Figure C-10 GPIO (6 of 11). Rev. B14 BOM, B08 Rework -No Cuts or Jumps Shown: Connectors

Note: 1) Vac0 = 12Vac, Phase 0  
 2) Vac1 = 12Vac, Phase 1  
 3) Vac2 = 6.5 Vac  
 4) Vaa = 12Vdc, Isolated  
 5) Vbb = 12Vdc, Isolated  
 6) Vcc = 5Vdc, Non-Isolated  
 7) Vdd = 5Vdc, Non-Isolated  
 8) Vee = 13.5Vdc, Isolated  
 9) Gnd.A = Isolated Ground  
 10) Gnd = Non-Isolated Ground

Switch Mapping:  
 0 Bezel Switch 0  
 1 Bezel Switch 1  
 2 Bezel Switch 2  
 3 Bezel Switch 3  
 4 Bezel Switch 4  
 5 Bezel Switch 5  
 6 Bezel Switch 6  
 7 Bezel Switch 7  
 8 Bolster Switch 0  
 9 Bolster Switch 1  
 10 Bolster Switch 2  
 11 Handle Up Sensor  
 12 Handle Down Sensor  
 13 Hopper Full Sense  
 14 Hopper Coin Out Detect  
 15 Hopper Coin Sense  
 16 Hopper Coin Sense  
 17 Belly Door Sense  
 18 Bolster Door Sense  
 19 Belly Door Sense  
 20 Bolster Door Sense  
 21 Bell Door Sense  
 22 PU Door Sense  
 23 SCS Door Sense  
 24 Spare 0  
 25 Spare 1  
 26 Spare 2  
 27 Spare 3  
 28 Spare 4  
 29 Spare 5  
 30 Spare 6  
 31 Spare 7

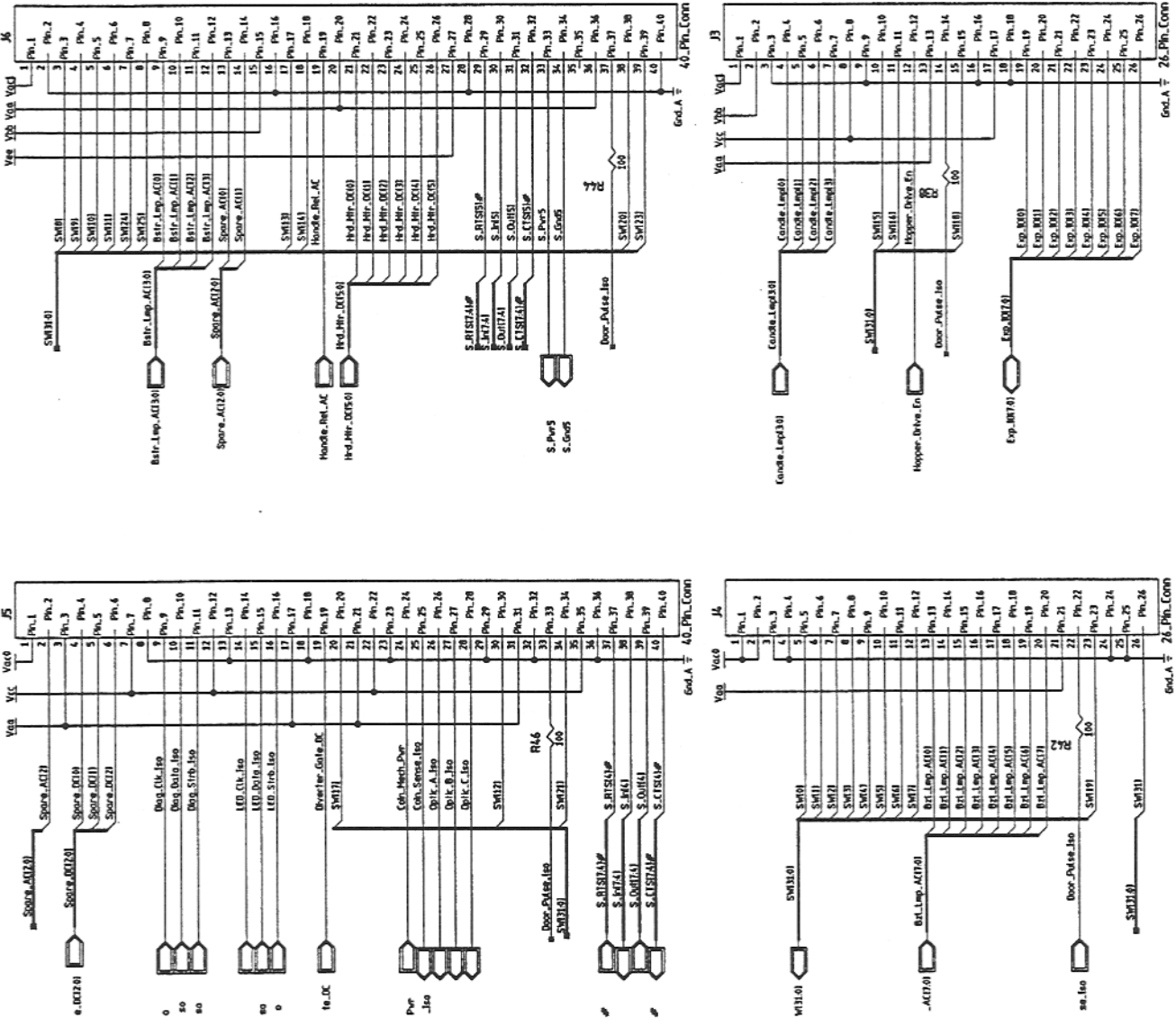


Figure C-11 GPIO (7 of 11). Rev. B14 BOM, B08 Rework -No Cuts or Jumps Shown: Serial Ports

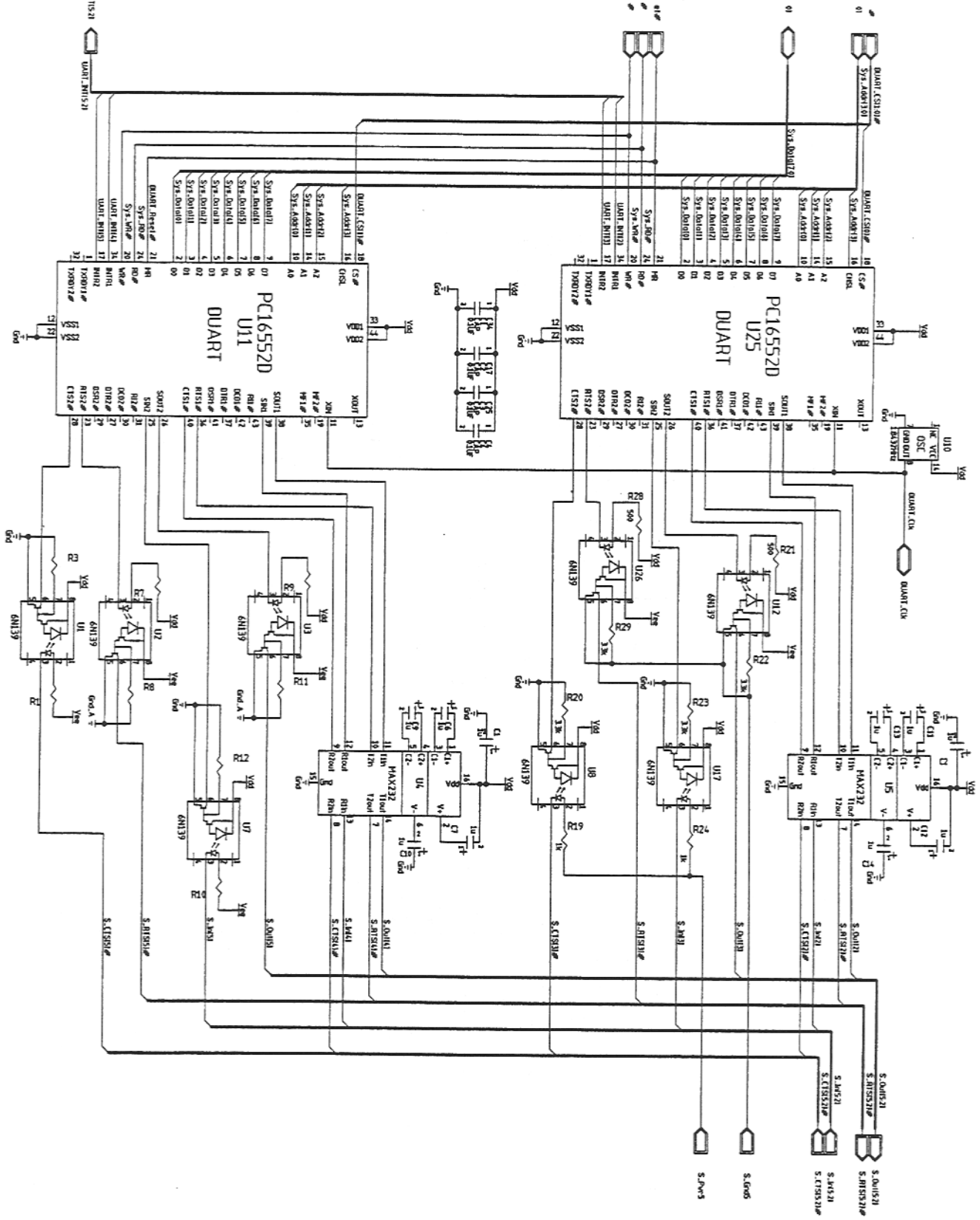


Figure C-12 GPIO (8 of 11). Rev. B14 BOM, B08 Rework -No Cuts or Jumps Shown: Power Supply

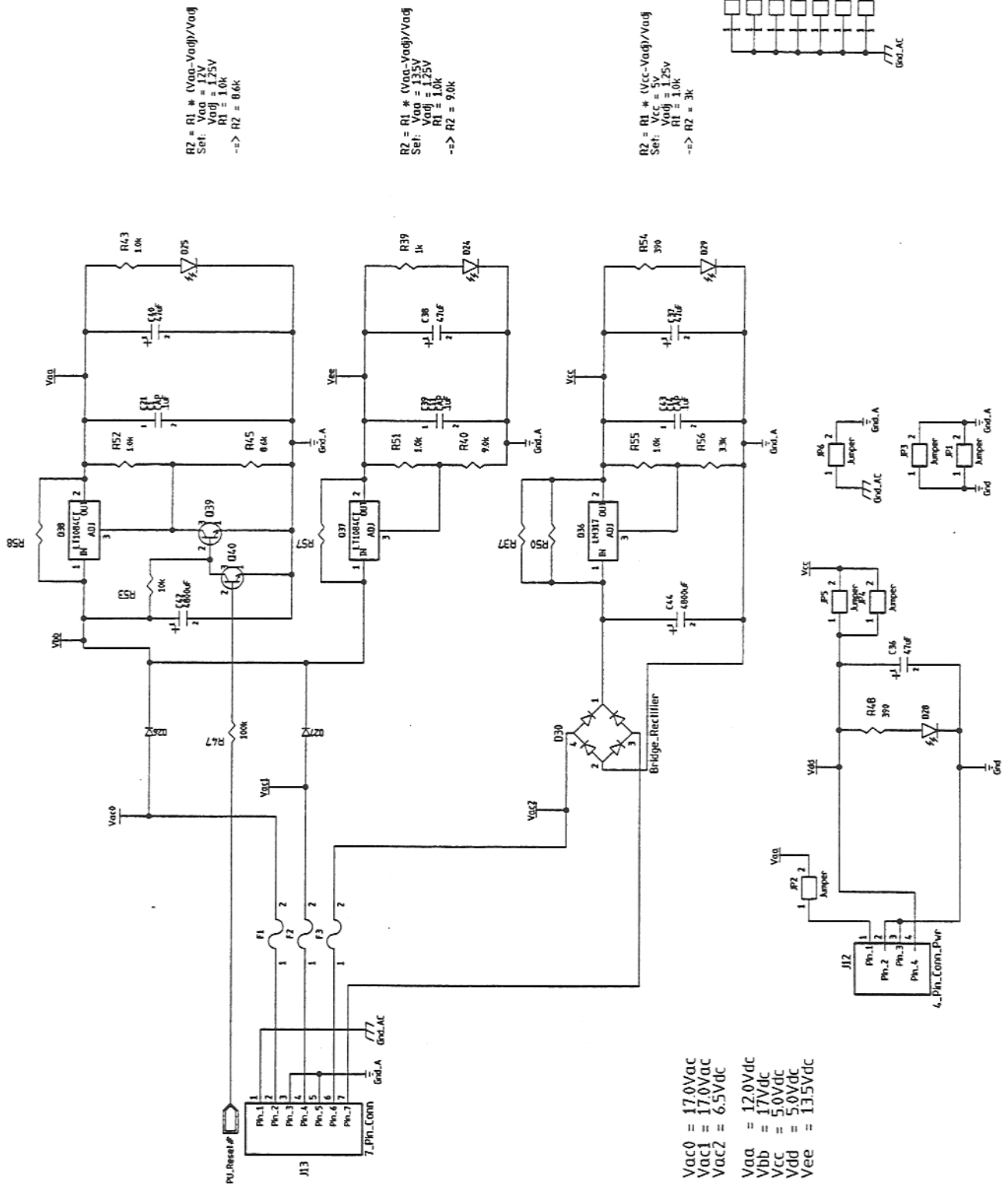


Figure C-13 GPIO (9 of 11). Rev. B14 BOM, B08 Rework -No Cuts or Jumps Shown: FPGA

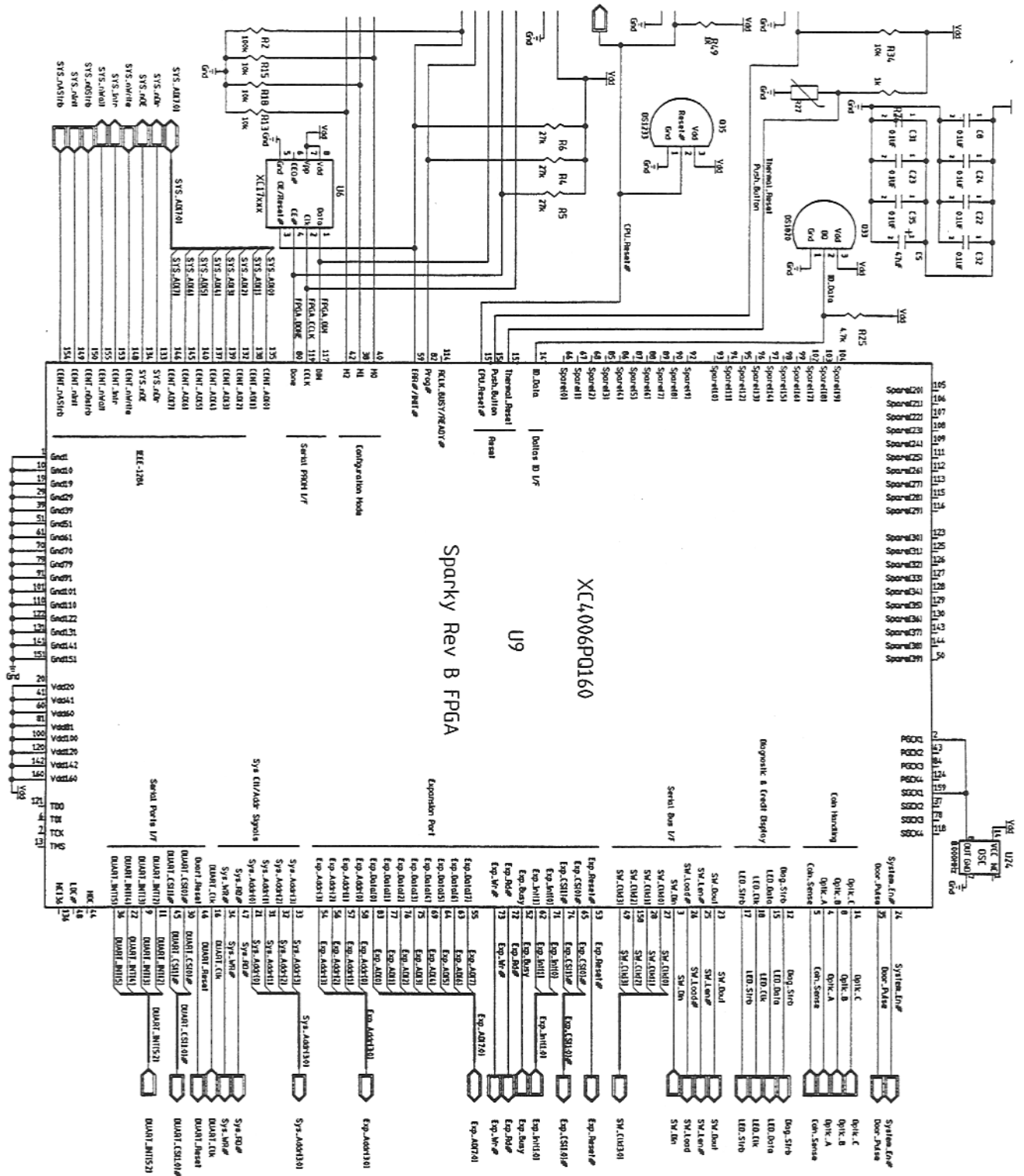


Figure C-14 GPIO (10 of 11). Rev. B14 BOM, B08 Rework -No Cuts or Jumps Shown: Switches Interface

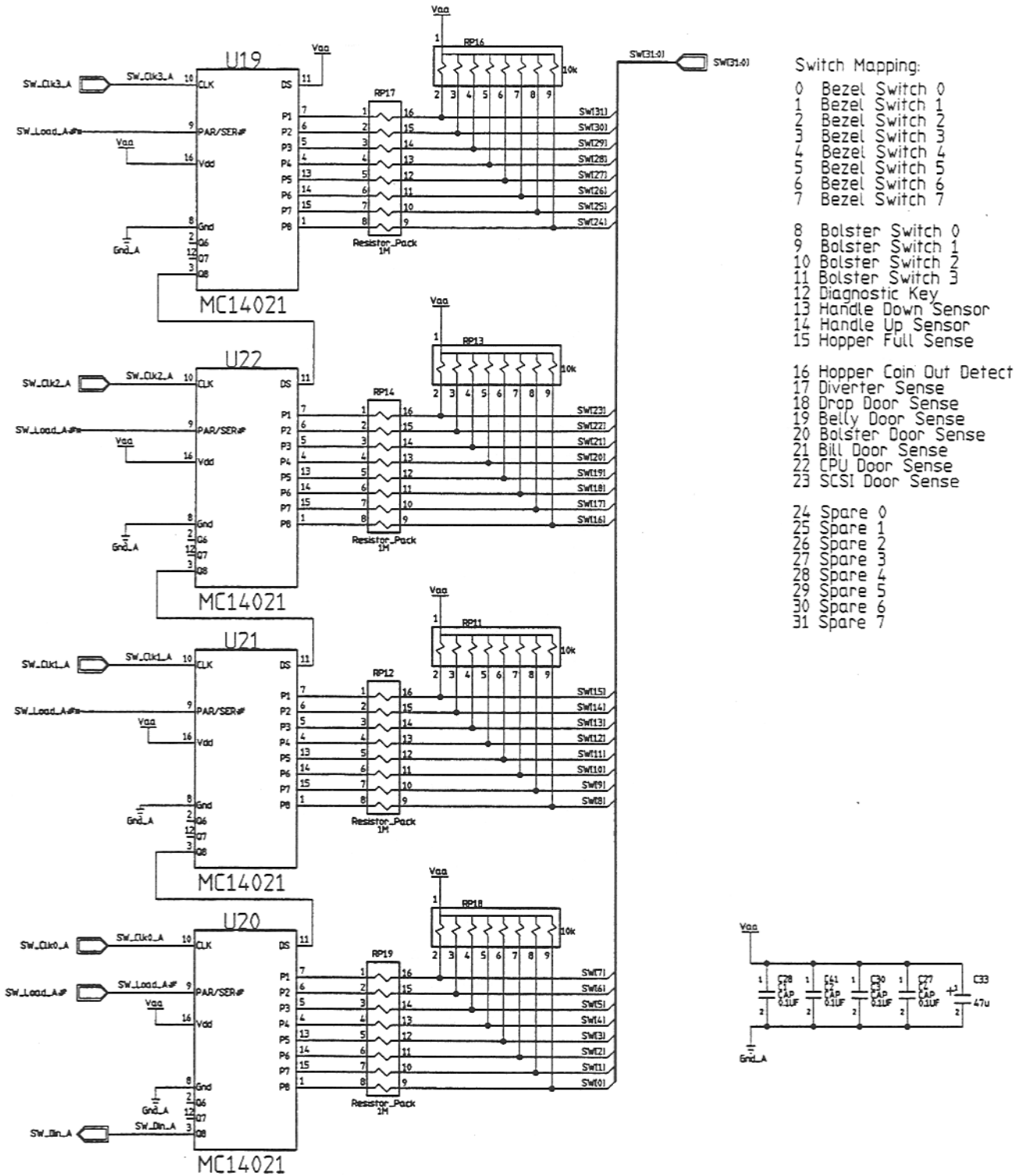


Figure C-15 GPIO (11 of 11). Rev. B14 BOM, B08 Rework -No Cuts or Jumps Shown: Lights and Drivers Interface

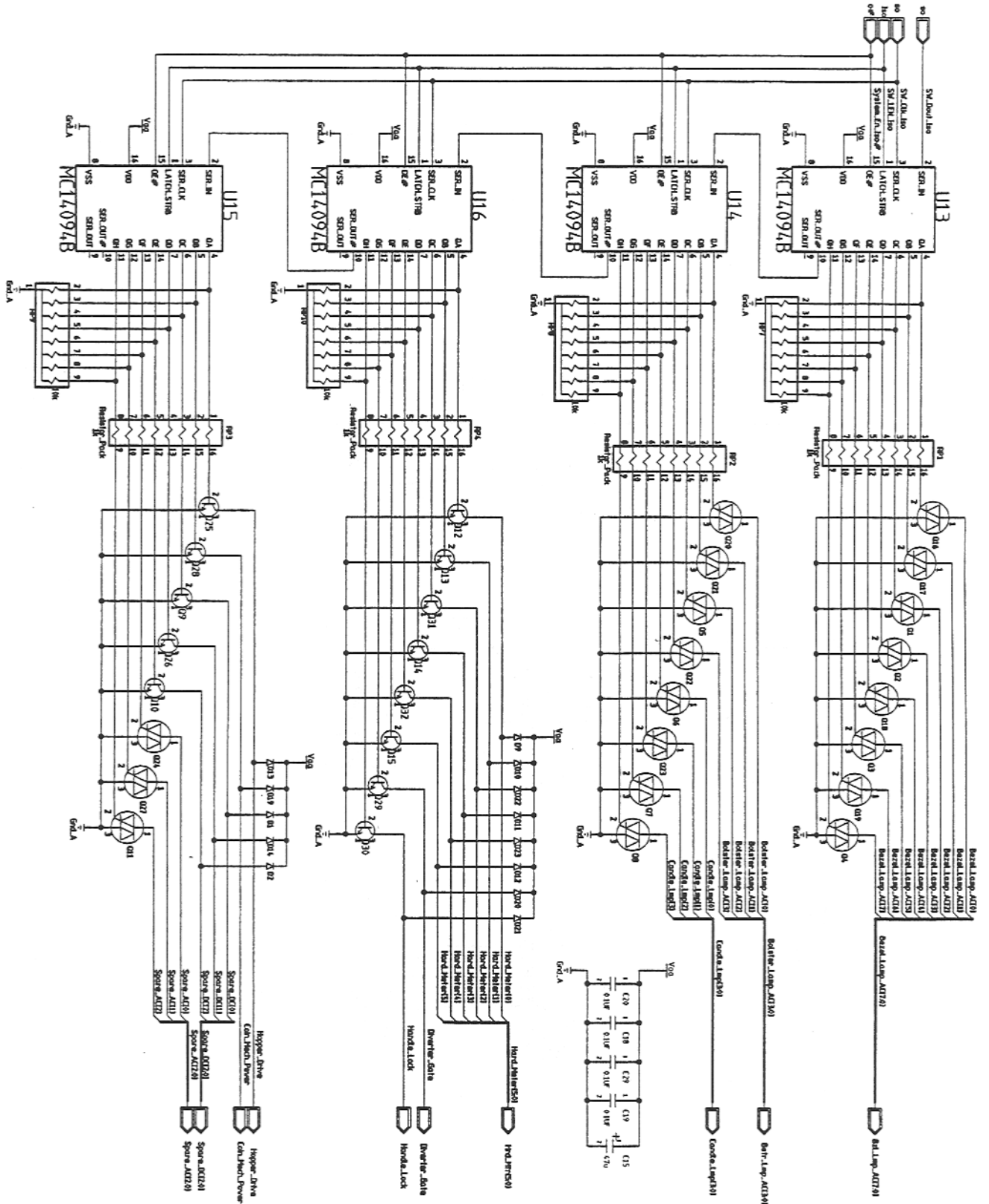




Figure C-16 Peripheral Memory Board, Rev. B02-B09

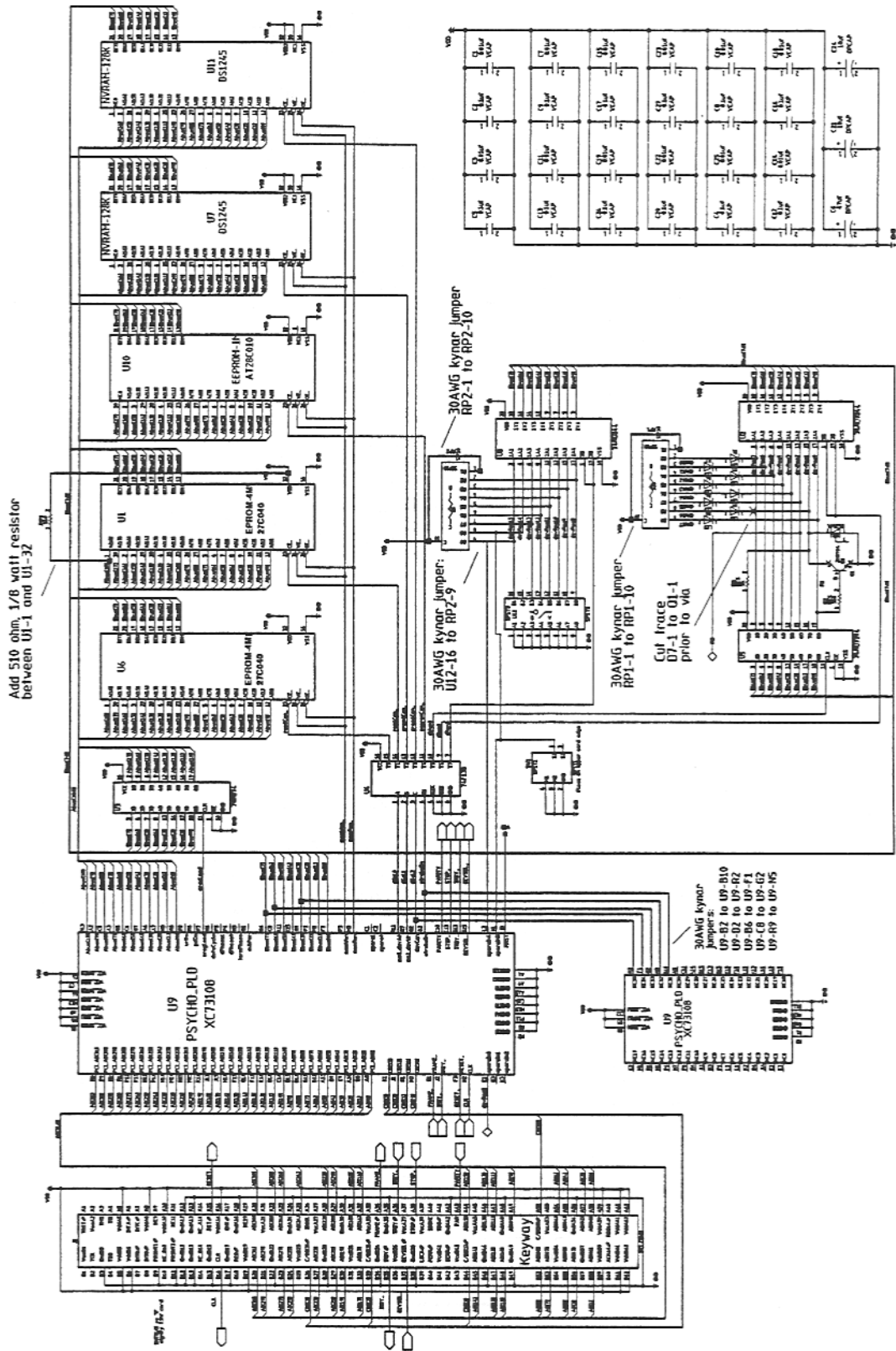


Figure C-17 Peripheral Memory Board II (1 of 4): PCI Connector and Controller

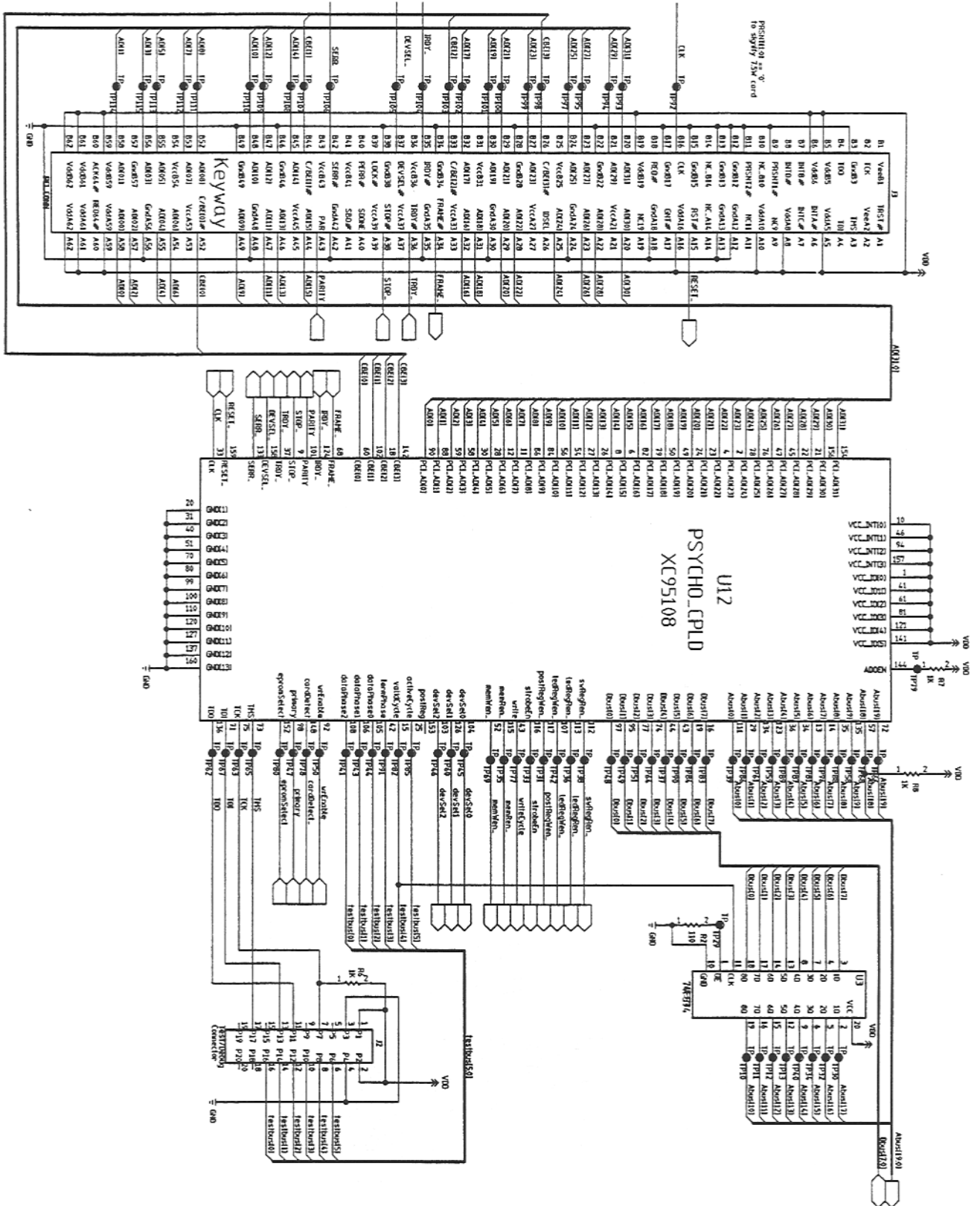


Figure C-18 Peripheral Memory Board II (2 of 4): Control Registers

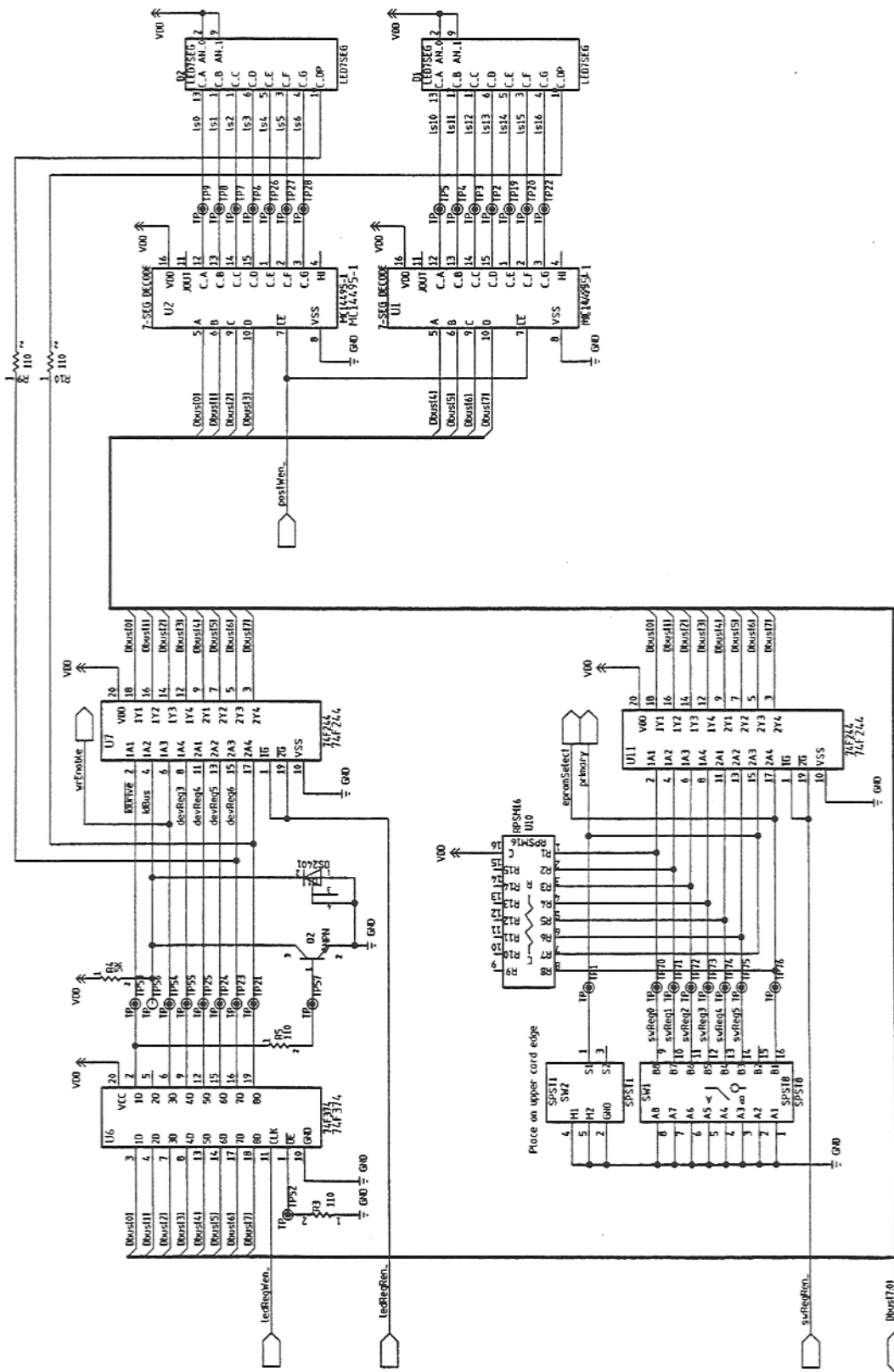


Figure C-19 Peripheral Memory Board II (3 of 4): Memories

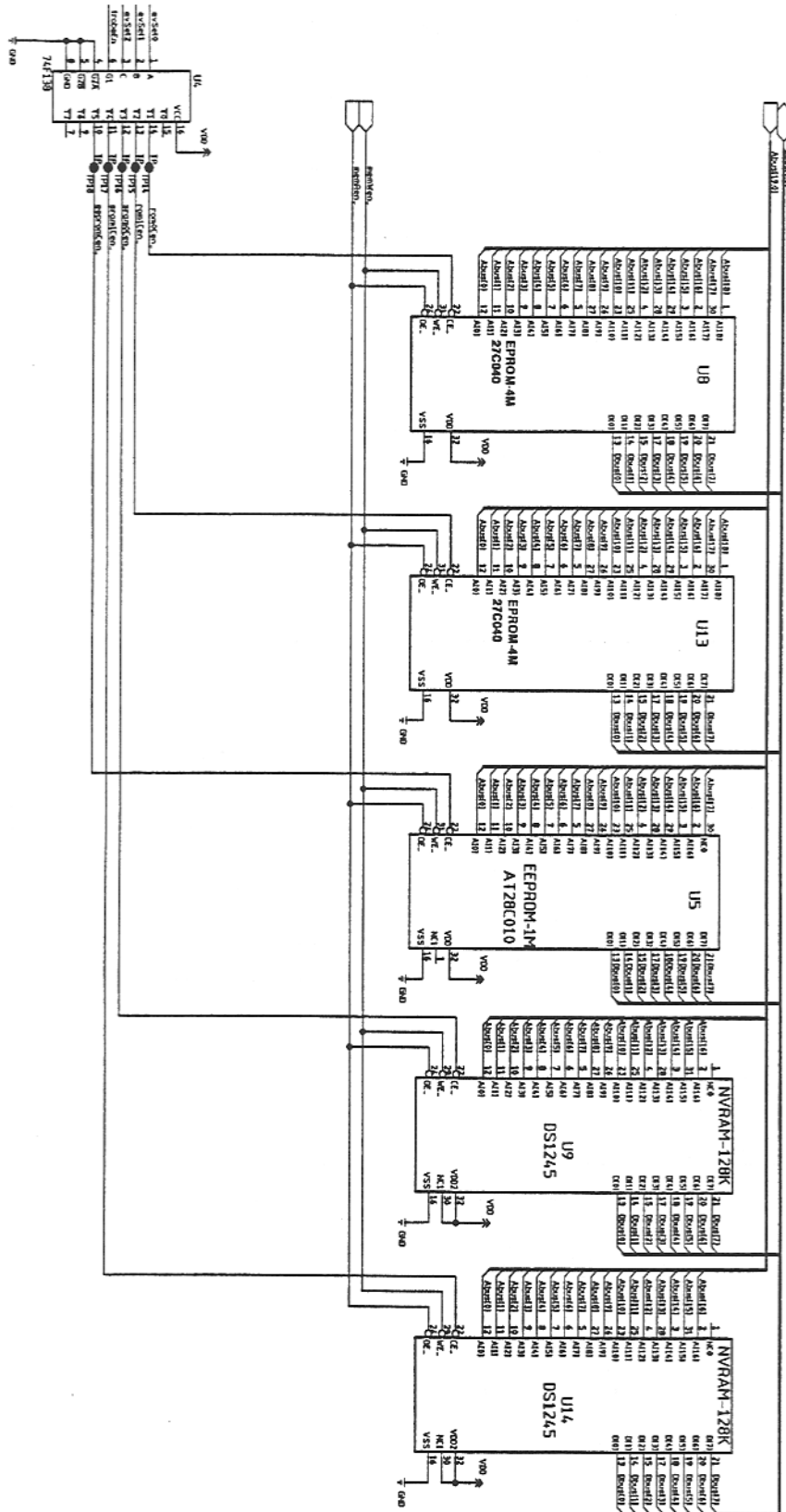


Figure C-20 Peripheral Memory II (4 of 4): Expansion Connector and Decoupling Capacitors

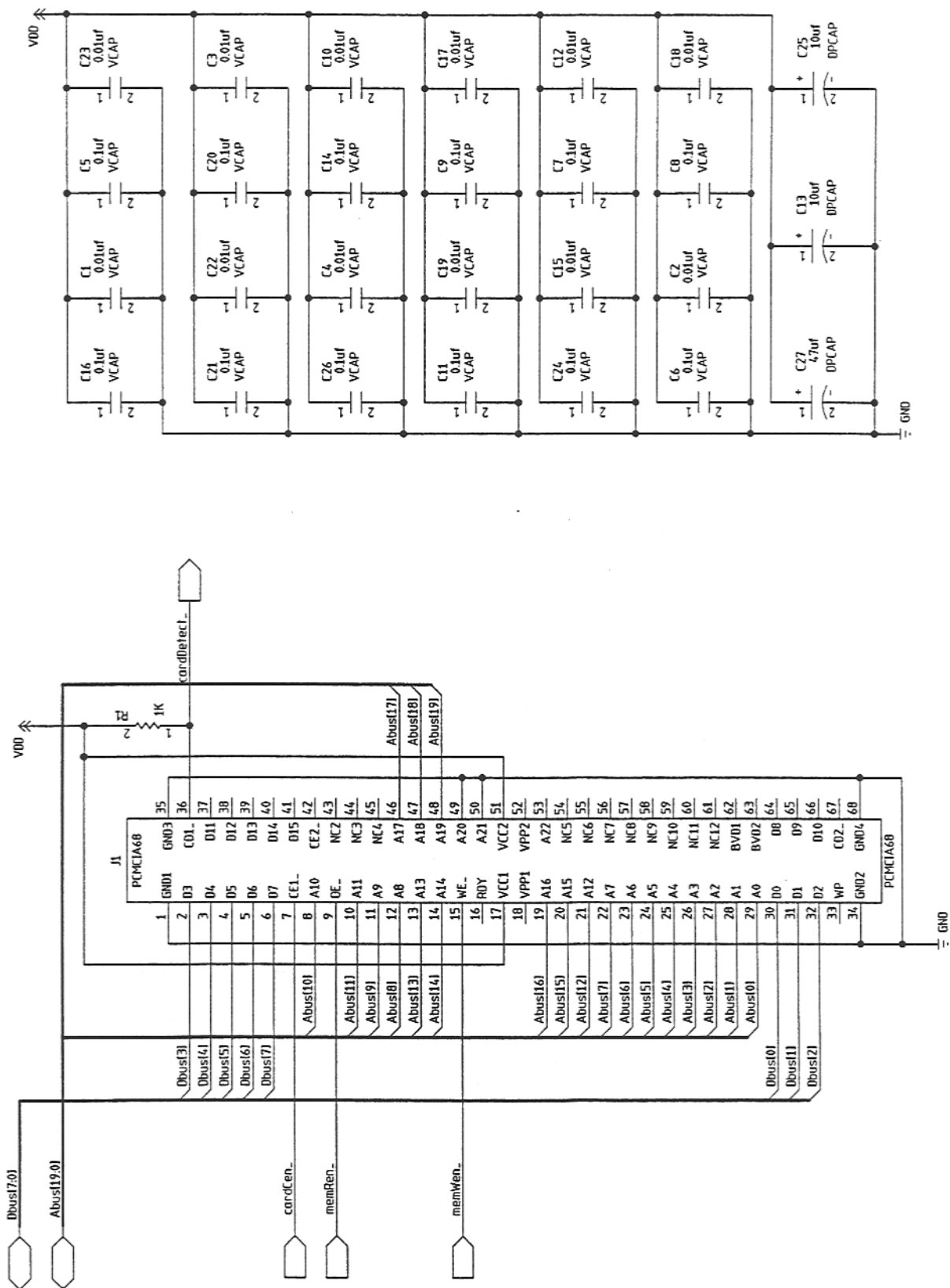


Figure C-21 Hubble Board, Rev. B05 (1 of 10): Network Interface

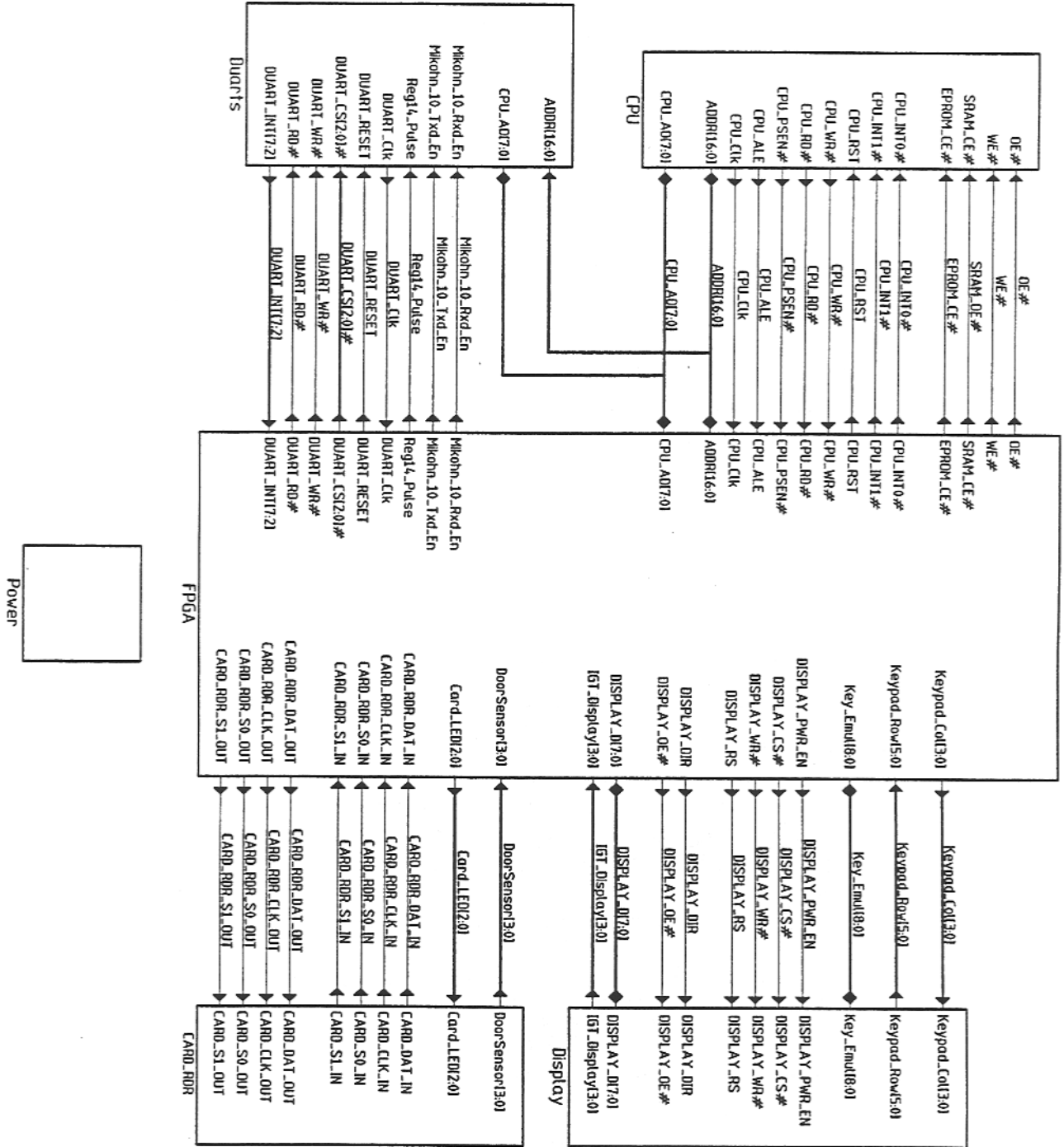


Figure C-22 Hubble Board, Rev. B05 (2 of 10): Power Supply

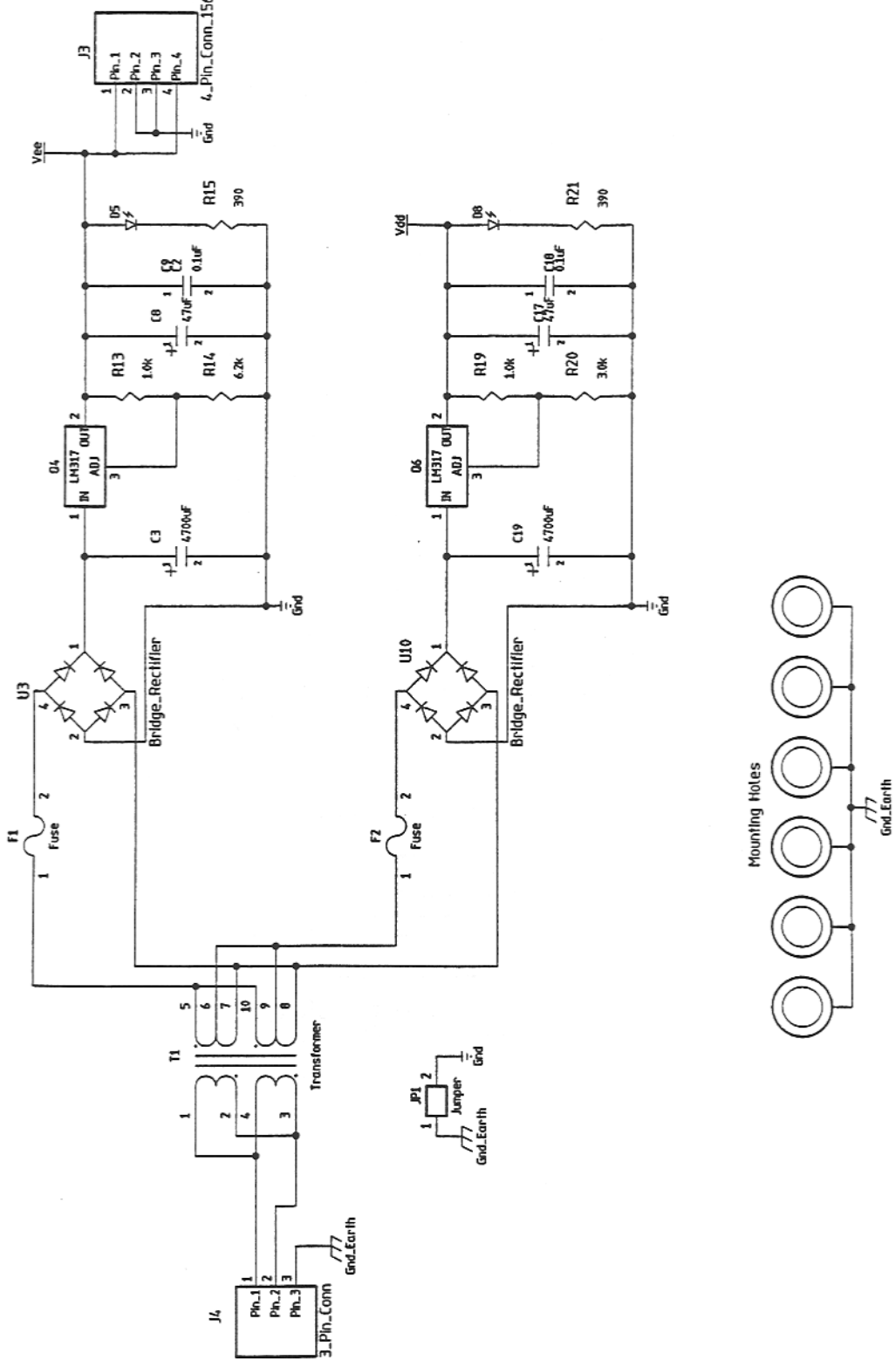


Figure C-23 Hubble Board, Rev. B05 (3 of 10): DUARTs

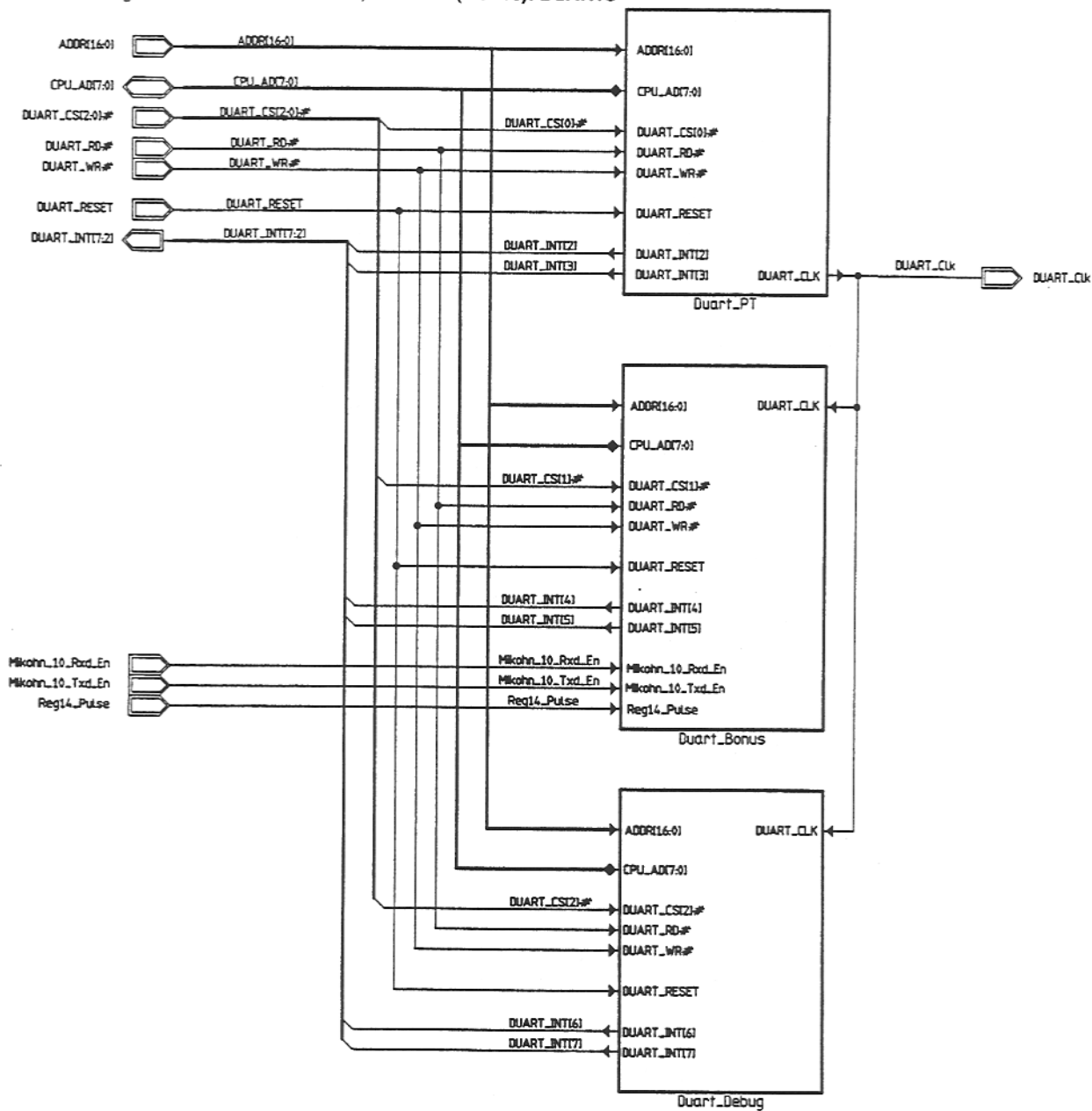




Figure C-24 Hubble Board, Rev. B05 (4 of 10): Card Reader Interface

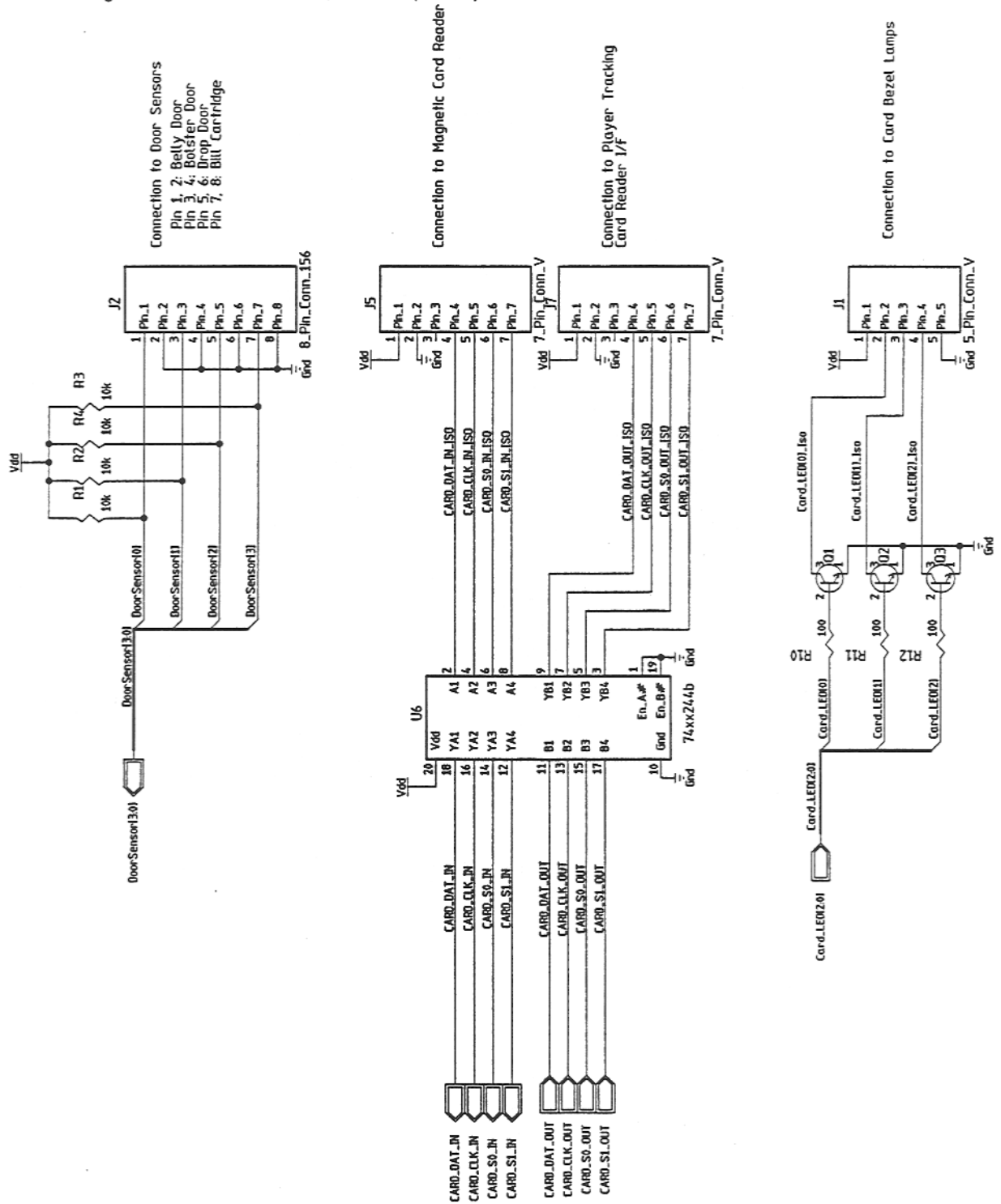


Figure C-25 Hubble Board, Rev. B05 (5 of 10): Display Interfaces

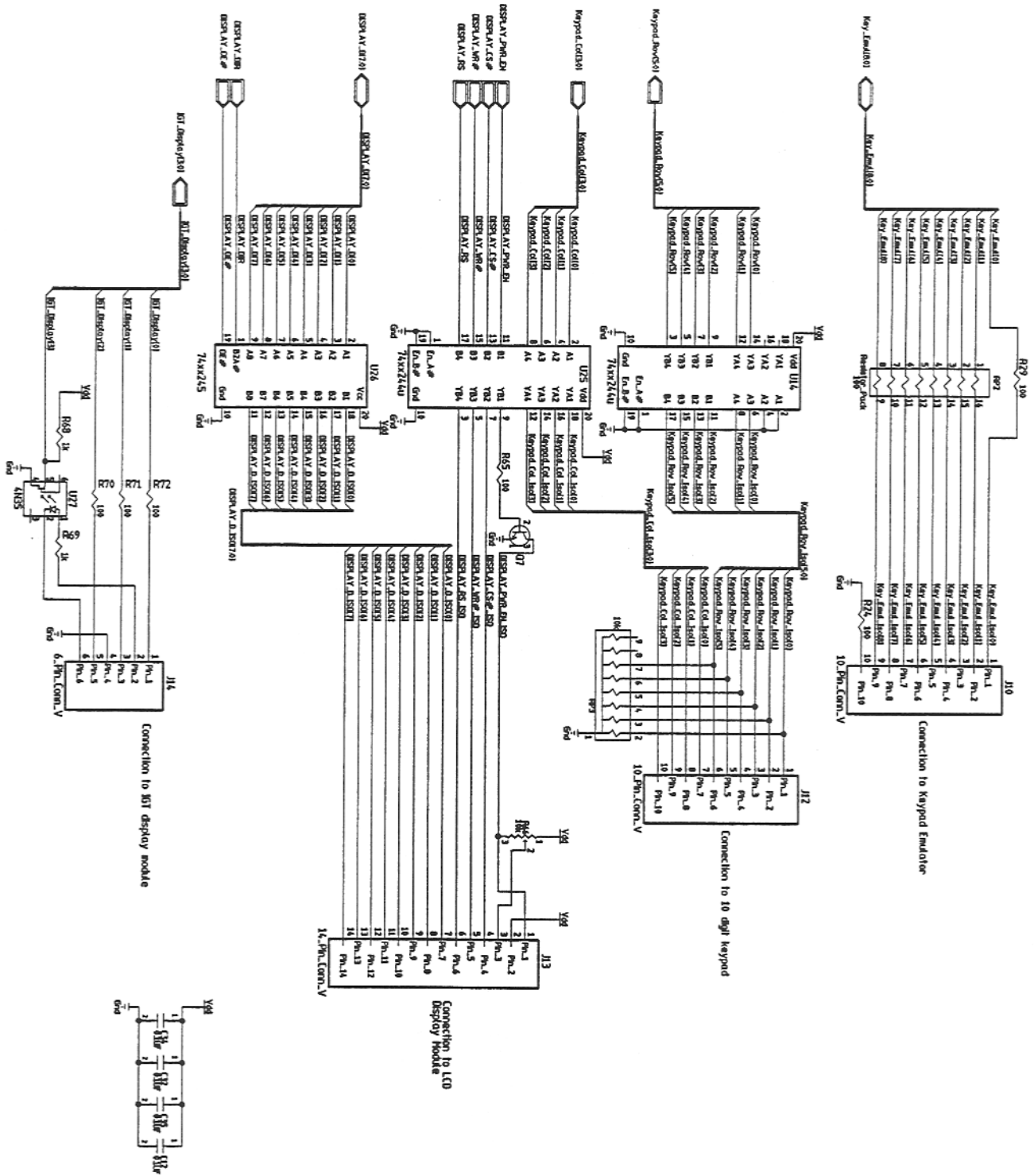


Figure C-26 Hubble Board, Rev. B05 (6 of 10): FPGA

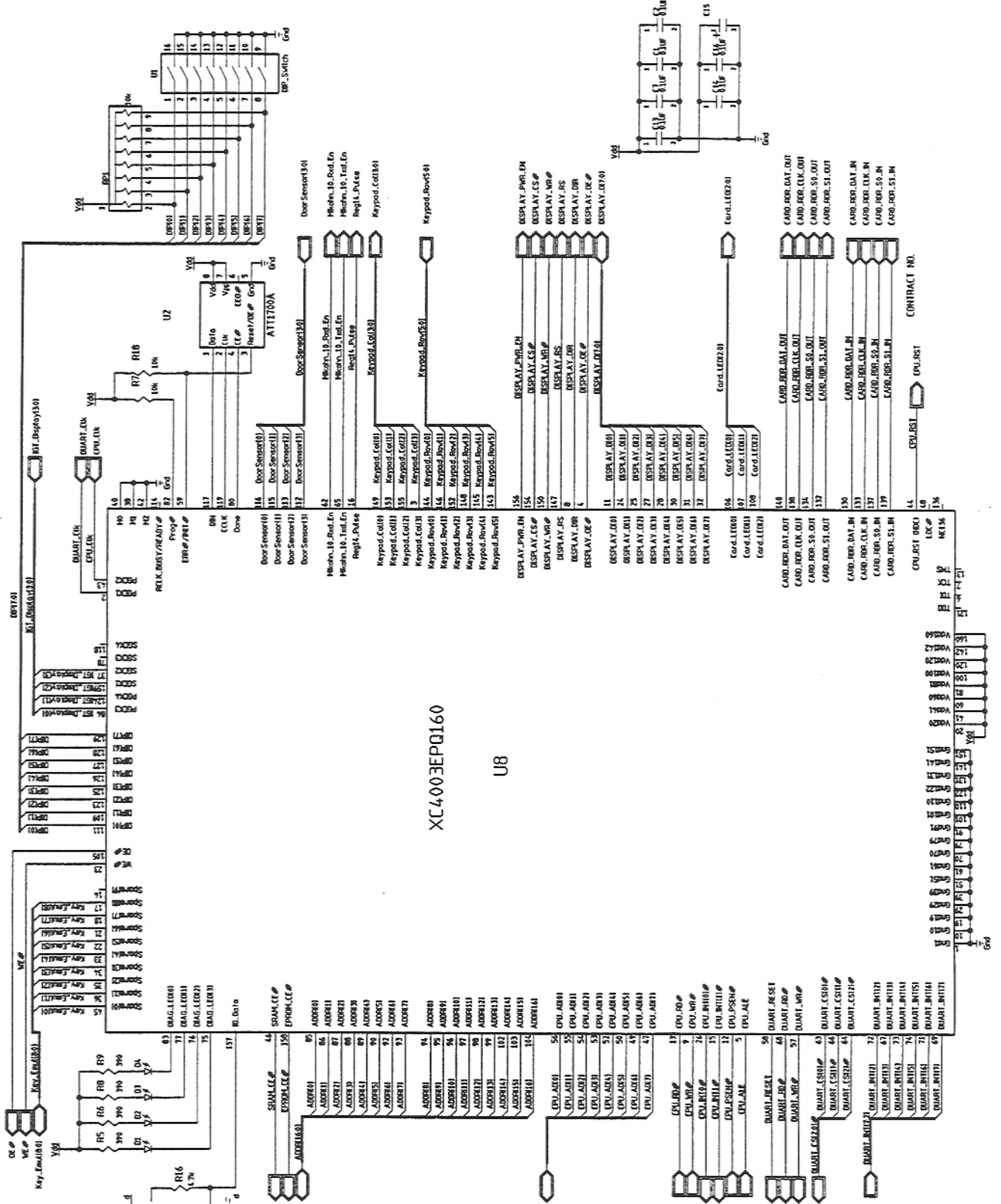


Figure C-27 Hubble Board, Rev. B05 (7 of 10): CPU

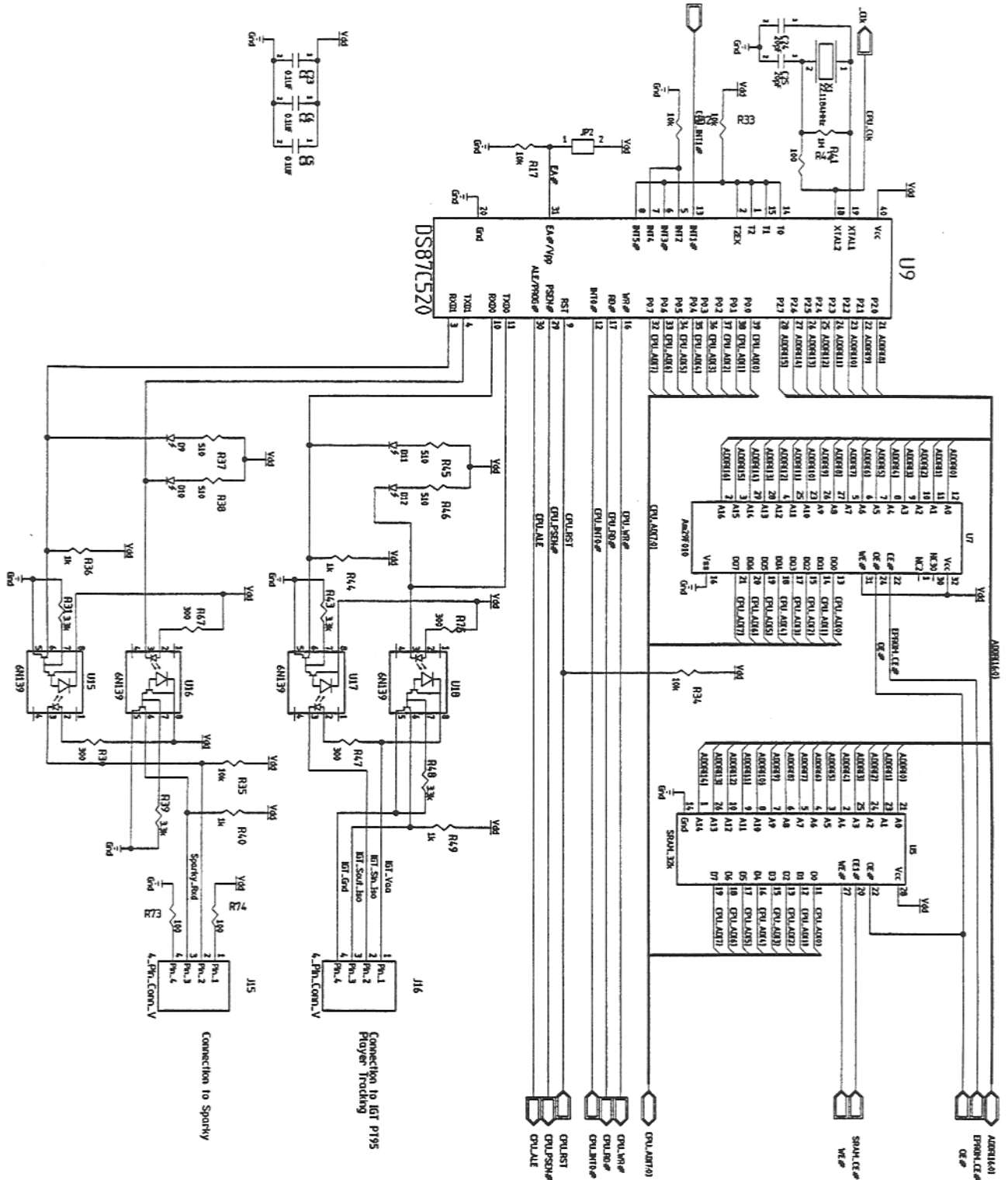


Figure C-28 Hubble Board, Rev. B05 (8 of 10): Bonus and Progressives DUARTs

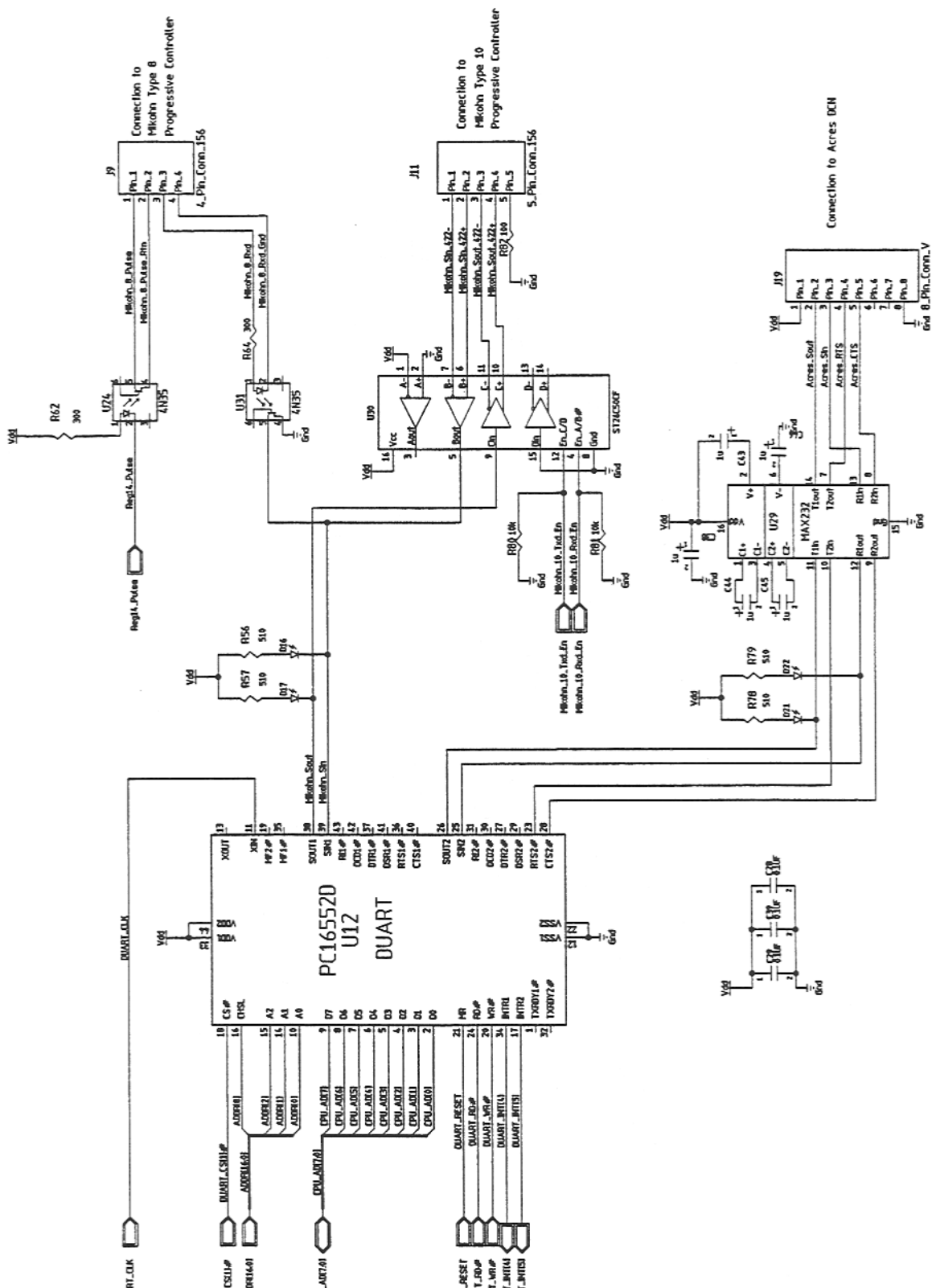


Figure C-29 Hubble Board, Rev. B05 (9 of 10): Player Tracking DUART

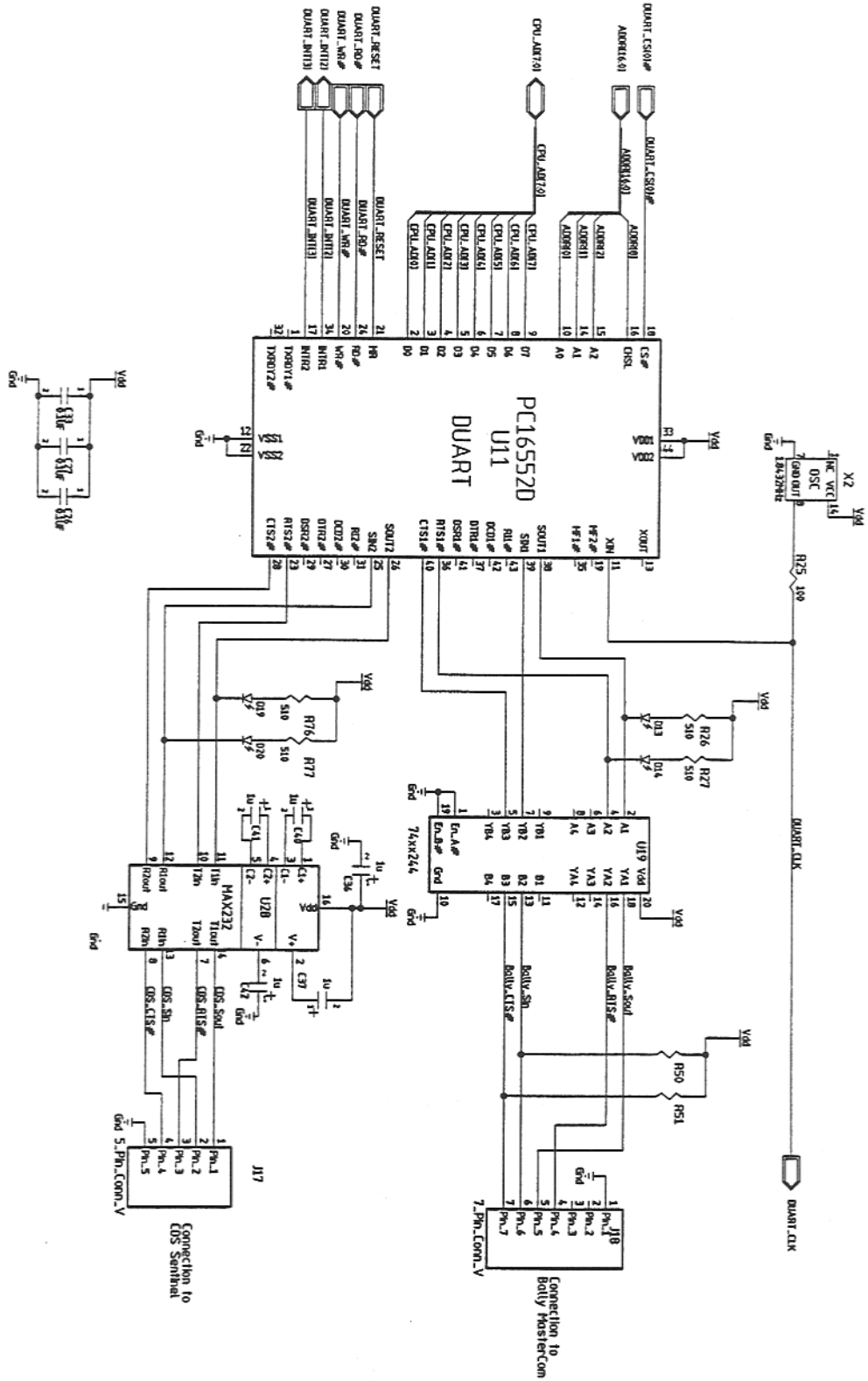


Figure C-30 Hubble Board, Rev. B05 (10 of 10): Debug and Spare DUART

